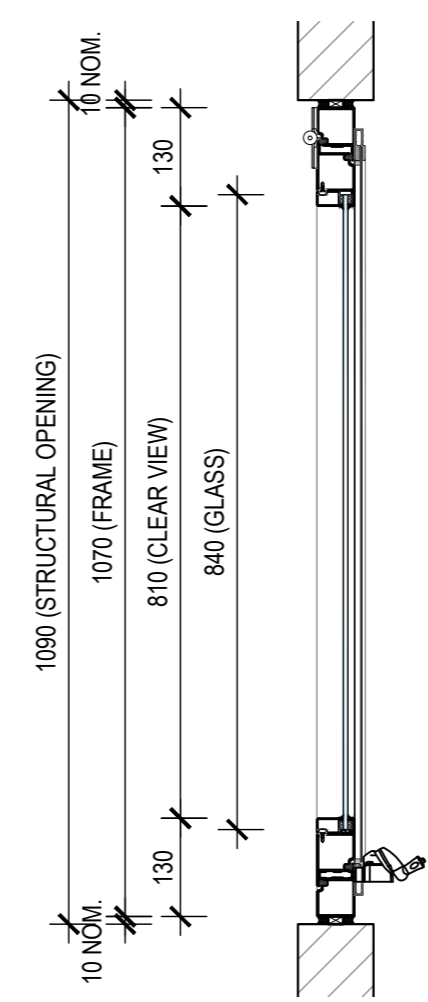
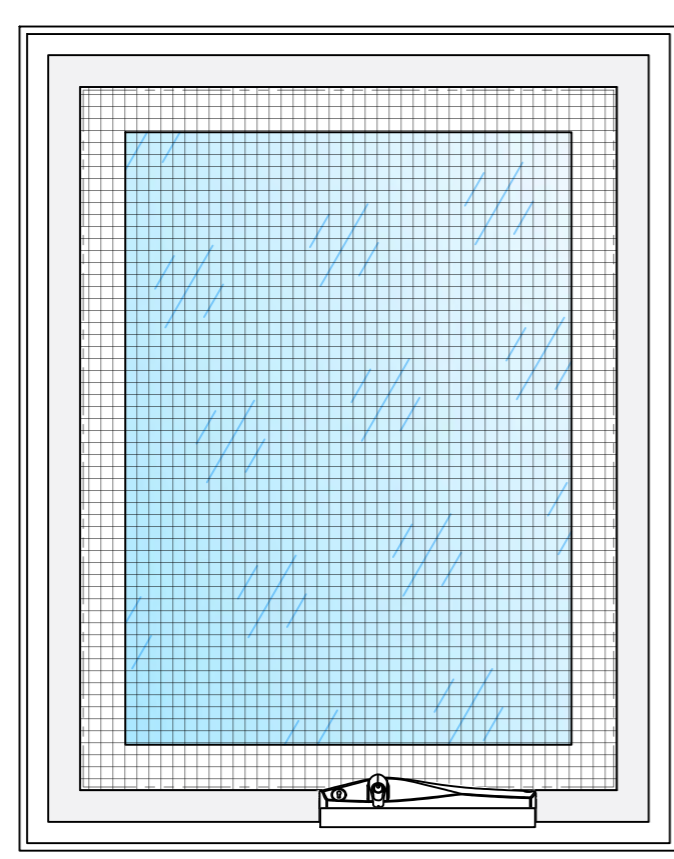


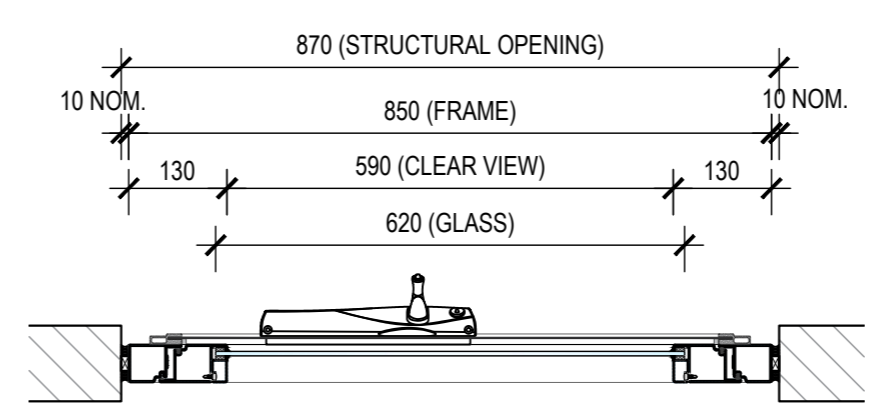
1 VIEW FROM OUTSIDE
TYP. OPERABLE WINDOW
SCALE 1:10 @ A2



A SIDE ELEVATION SECTION
SCALE 1:10 @ A2



2 VIEW FROM INSIDE
TYP. OPERABLE WINDOW
SCALE 1:10 @ A2



B PLAN VIEW SECTION
SCALE 1:10 @ A2

THIS DRAWING IS COPYRIGHT AND THE PROPERTY OF THE AUTHOR, AND MUST NOT BE RETAINED, COPIED OR USED WITHOUT THE AUTHORITY OF BUSHFIRE CONTROL PTY. LTD.
DO NOT SCALE FROM DRAWING. USE PROVIDED DIMENSIONS ONLY.
ALL DISCREPANCIES MUST BE BROUGHT TO THE ATTENTION OF AUTHOR.
BUSHFIRE CONTROL DO NOT TAKE RESPONSIBILITY OF MEASUREMENTS PROVIDED BY OTHERS.

CHK	REASON	DATE	
A	JR	INFORMATION COPY	18/08/2022
B	JR	INFORMATION COPY	31/08/2022

DISCLAIMER

INFORMATION GIVEN IN WARRIORWINDOWS.COM.AU AND PUBLICATIONS FOR DOWNLOAD ARE GIVEN TO THE BEST OF OUR KNOWLEDGE AND IN GOOD FAITH. BUSHFIRE CONTROL IS NOT RESPONSIBLE IF RECIPIENTS OF TEST REPORTS, ASSESSMENTS OR LITERATURE MISINTERPRET THE CONTENTS AND WRONGLY USE PRODUCTS BASED ON THOSE MISINTERPRETATIONS. NO LIABILITY IS ACCEPTED FOR ERROR OMISSIONS IN THIS WEB SITE OR OUR DOCUMENTS. IN THE INTERESTS OF IMPROVEMENTS AND CONTINUED DEVELOPMENT BUSHFIRE CONTROL RESERVES THE RIGHT TO CHANGE SPECIFICATION WITHOUT NOTICE.

INFORMATION COPY ONLY



WWW.BUSHFIRECONTROL.COM.AU
 ABN 92 623 863 810
 20 GEORGE YOUNG STREET
 AUBURN, NSW 2144
 EMAIL: INFO@BUSHFIRECONTROL.COM.AU
 FREE CALL: 1800 218 258
 FAX: (02) 9681 1600

PROJECT
OPERABLE WINDOW

CLIENT

TITLE
TYP. OPERABLE WINDOW

SUB SET (CATEGORY)
00 - SPECIFICATIONS

DRAWING NUMBER
SCS-0002

ISSUE STATUS:
O.K INFORMATION ONLY

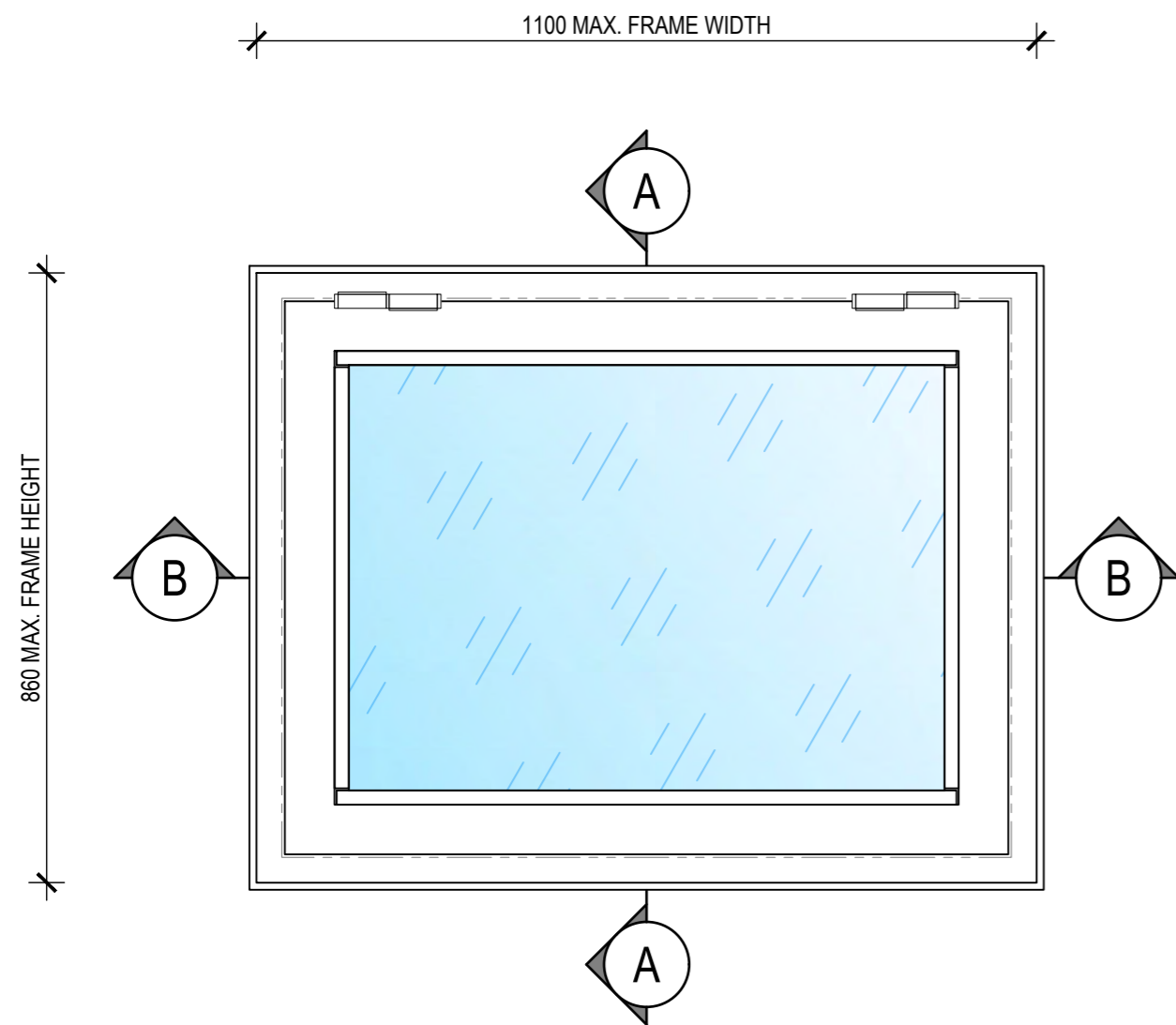
SCALE
AS SHOWN @A2

FILE: AUTOFIRE OPERABLE WINDOW.dwg -- PLOTTED ON 01/09/2022 BY FARZANA MAHMUD

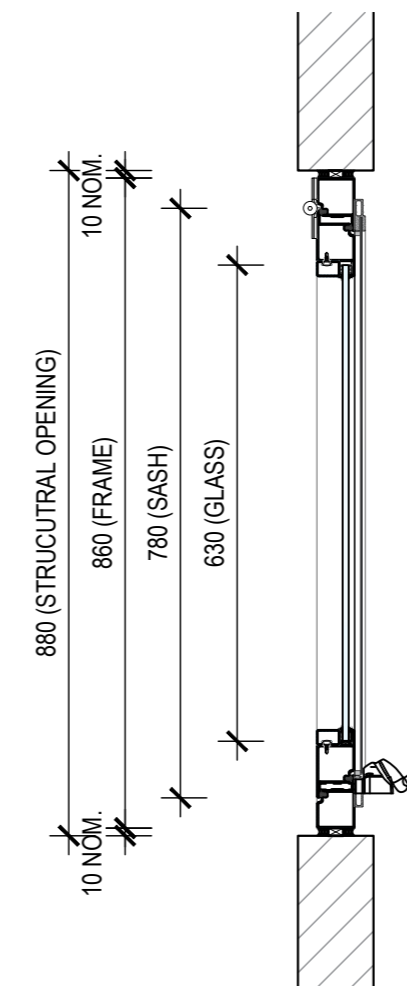
<<< 594mm

THIS DRAWING IS COPYRIGHT AND THE PROPERTY OF THE AUTHOR, AND MUST NOT BE RETAINED, COPIED OR USED WITHOUT THE AUTHORITY OF BUSHFIRE CONTROL PTY. LTD.
 DO NOT SCALE FROM DRAWING. USE PROVIDED DIMENSIONS ONLY.
 ALL DISCREPANCIES MUST BE BROUGHT TO THE ATTENTION OF AUTHOR.
 BUSHFIRE CONTROL DO NOT TAKE RESPONSIBILITY OF MEASUREMENTS PROVIDED BY OTHERS.

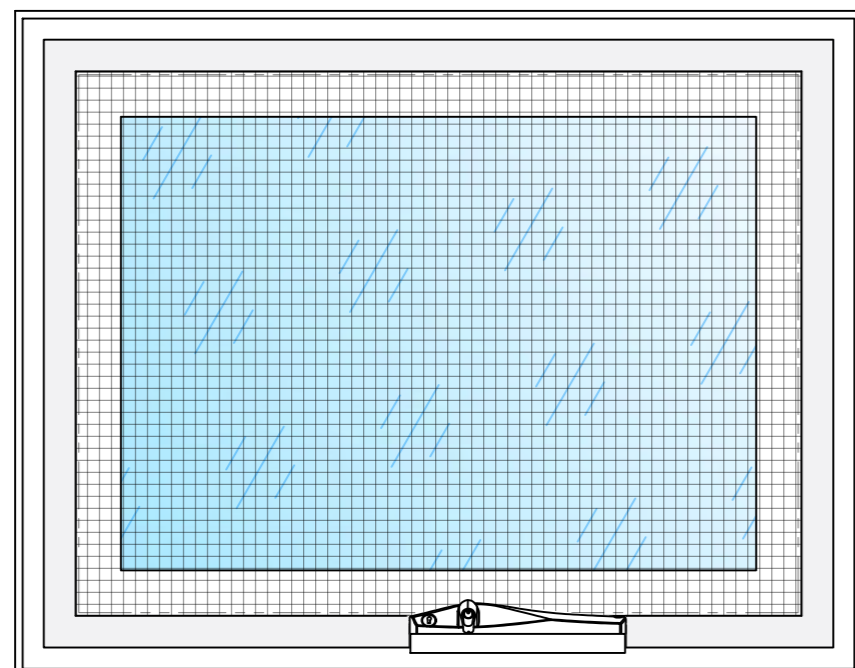
NO	CHK	REASON	DATE
A	JR	INFORMATION COPY	18/08/2022
B	JR	INFORMATION COPY	31/08/2022



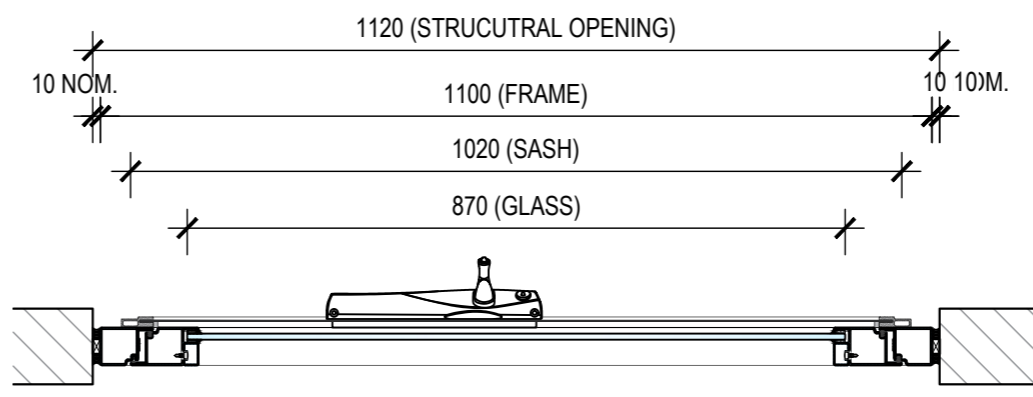
1 VIEW FROM OUTSIDE
TYP. OPERABLE WINDOW
 SCALE 1:10 @ A2



A SIDE ELEVATION SECTION
 SCALE 1:10 @ A2



2 VIEW FROM INSIDE
TYP. OPERABLE WINDOW
 SCALE 1:10 @ A2



B PLAN VIEW SECTION
 SCALE 1:10 @ A2

DISCLAIMER

INFORMATION GIVEN IN WARRIORWINDOWS.COM.AU AND PUBLICATIONS FOR DOWNLOAD ARE GIVEN TO THE BEST OF OUR KNOWLEDGE AND IN GOOD FAITH. BUSHFIRE CONTROL IS NOT RESPONSIBLE IF RECIPIENTS OF TEST REPORTS, ASSESSMENTS OR LITERATURE MISINTERPRET THE CONTENTS AND WRONGLY USE PRODUCTS BASED ON THOSE MISINTERPRETATIONS. NO LIABILITY IS ACCEPTED FOR ERROR OMISSIONS IN THIS WEB SITE OR OUR DOCUMENTS. IN THE INTERESTS OF IMPROVEMENTS AND CONTINUED DEVELOPMENT BUSHFIRE CONTROL RESERVES THE RIGHT TO CHANGE SPECIFICATION WITHOUT NOTICE.

INFORMATION COPY ONLY



WWW.BUSHFIRECONTROL.COM.AU
 ABN 92 623 863 810
 20 GEORGE YOUNG STREET
 AUBURN, NSW 2144
 EMAIL: INFO@BUSHFIRECONTROL.COM.AU
 FREE CALL: 1800 218 258
 FAX: (02) 9681 1600

PROJECT
OPERABLE WINDOW

CLIENT

TITLE
TYP. OPERABLE WINDOW

SUB SET (CATEGORY)
00 - SPECIFICATIONS

DRAWING NUMBER
SCS-0003

REV
 B

DRAWN BY
 O.K

ISSUE STATUS:
 INFORMATION ONLY

START DATE
 18/08/2022

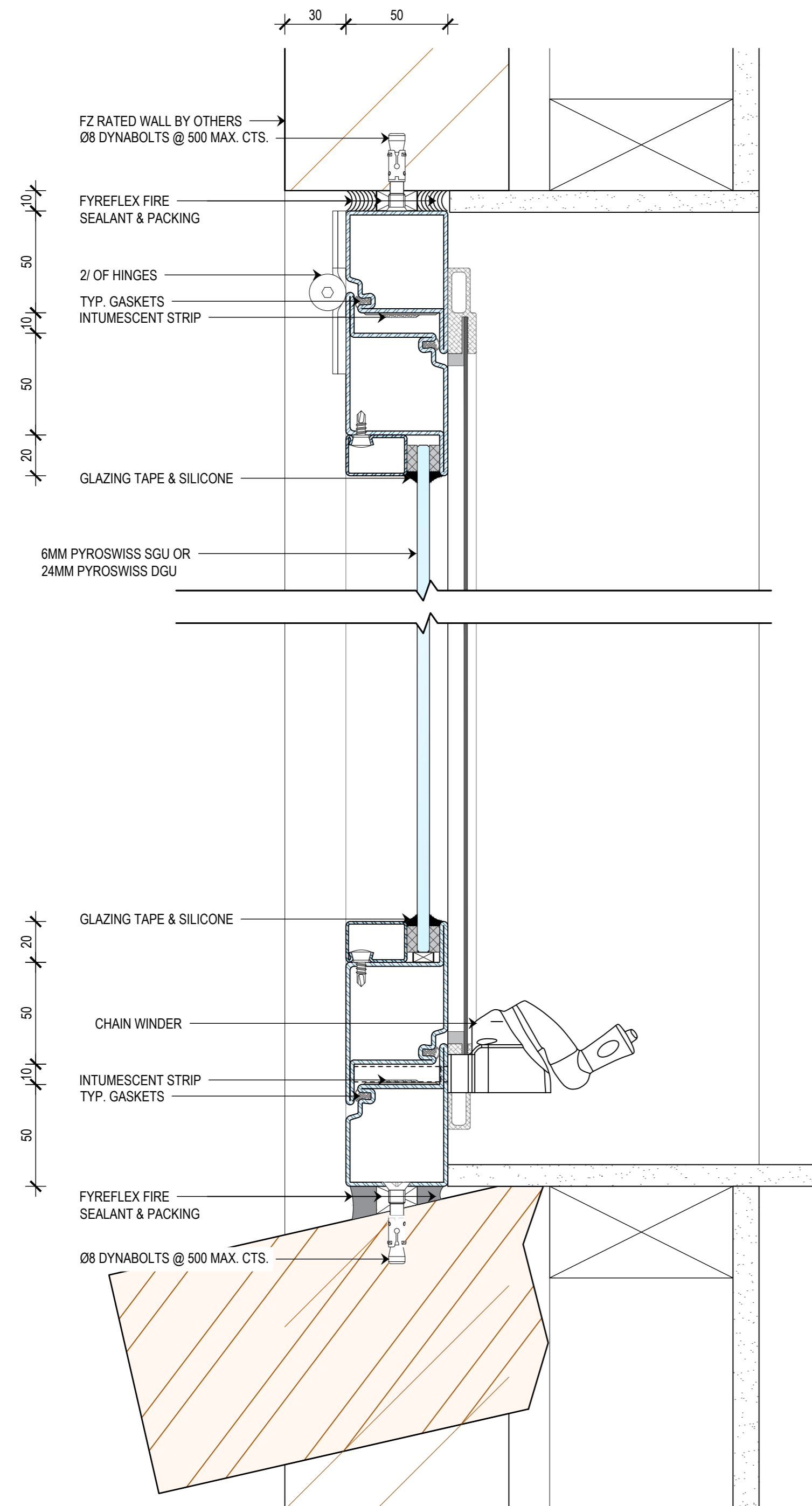
SCALE
 AS SHOWN @A2

FILE: AUTOFIRE OPERABLE WINDOW.dwg --- PLOTTED ON 01/09/2022 BY FARZANA MAHMUD

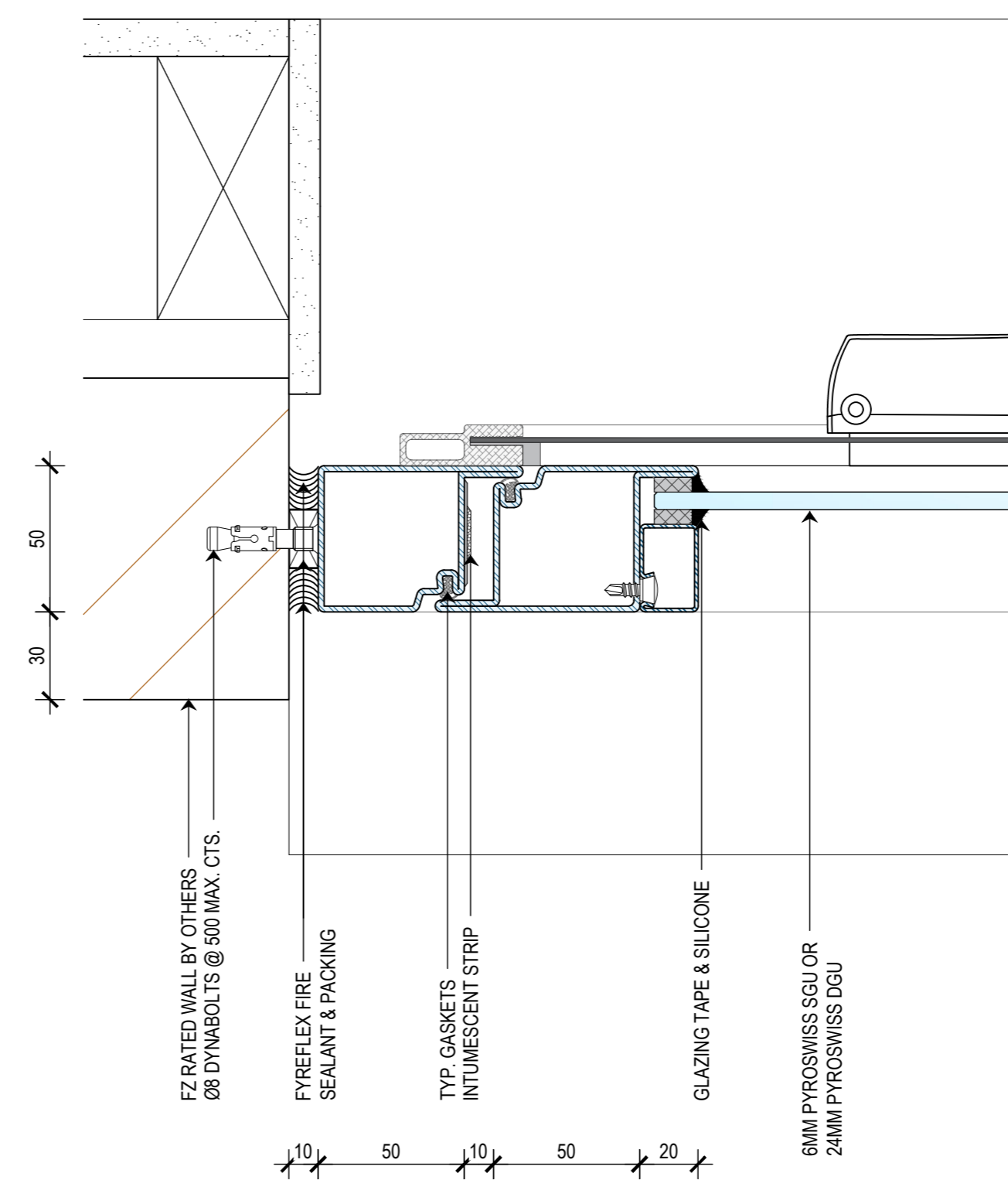
<<< 594mm

THIS DRAWING IS COPYRIGHT AND THE PROPERTY OF THE AUTHOR, AND MUST NOT BE RETAINED, COPIED OR USED WITHOUT THE AUTHORITY OF BUSHFIRE CONTROL PTY. LTD.
 DO NOT SCALE FROM DRAWING. USE PROVIDED DIMENSIONS ONLY.
 ALL DISCREPANCIES MUST BE BROUGHT TO THE ATTENTION OF AUTHOR.
 BUSHFIRE CONTROL DO NOT TAKE RESPONSIBILITY OF MEASUREMENTS PROVIDED BY OTHERS.

CHK	REASON	DATE
A JR	INFORMATION COPY	18/08/2022
B JR	INFORMATION COPY	31/08/2022



A SIDE ELEVATION SECTION - BRICK VENEER
 SCALE 1:2 @ A2



B PLAN VIEW SECTION - BRICK VENEER
 SCALE 1:2 @ A2

DISCLAIMER

INFORMATION GIVEN IN WARRIORWINDOWS.COM.AU AND PUBLICATIONS FOR DOWNLOAD ARE GIVEN TO THE BEST OF OUR KNOWLEDGE AND IN GOOD FAITH. BUSHFIRE CONTROL IS NOT RESPONSIBLE IF RECIPIENTS OF TEST REPORTS, ASSESSMENTS OR LITERATURE MISINTERPRET THE CONTENTS AND WRONGLY USE PRODUCTS BASED ON THOSE MISINTERPRETATIONS. NO LIABILITY IS ACCEPTED FOR ERROR OMISSIONS IN THIS WEB SITE OR OUR DOCUMENTS. IN THE INTERESTS OF IMPROVEMENTS AND CONTINUED DEVELOPMENT BUSHFIRE CONTROL RESERVES THE RIGHT TO CHANGE SPECIFICATION WITHOUT NOTICE.

INFORMATION COPY ONLY



WWW.BUSHFIRECONTROL.COM.AU
 ABN 92 623 863 810
 20 GEORGE YOUNG STREET
 AUBURN, NSW 2144
 EMAIL: INFO@BUSHFIRECONTROL.COM.AU
 FREE CALL: 1800 218 258
 FAX: (02) 9681 1600

PROJECT
 OPERABLE WINDOW

CLIENT

TITLE
 SECTION - BRICK VENEER

SUB SET (CATEGORY)
 00 - SPECIFICATIONS

DRAWING NUMBER	REV
SCS-0004	B

DRAWN BY	ISSUE STATUS:
O.K	INFORMATION ONLY

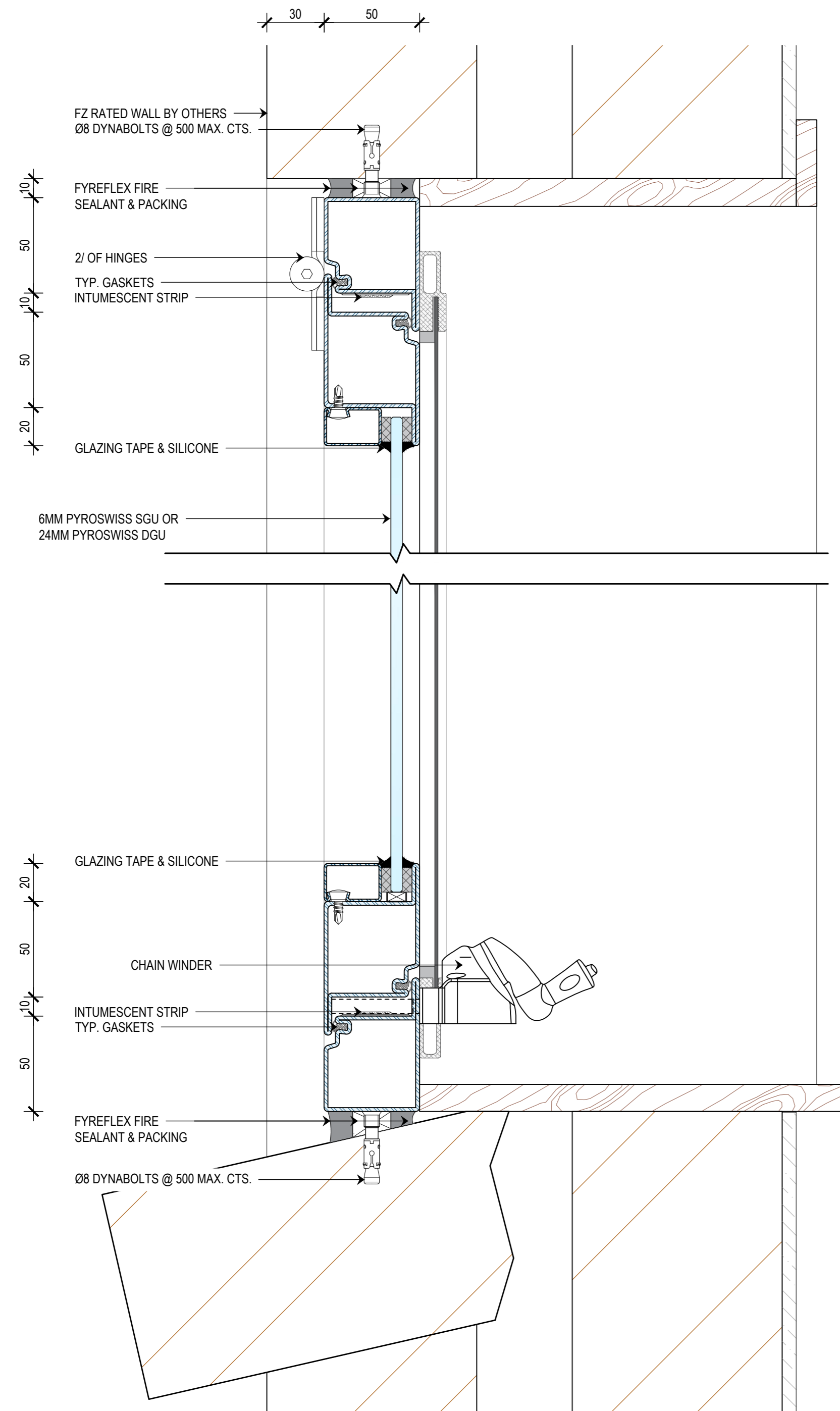
START DATE	SCALE	
18/08/2022	AS SHOWN	@A2

FILE: AUTO-FIRE OPERABLE WINDOW.dwg --- PLOTTED ON 01/09/2022 BY FARZANA MAHMOUD

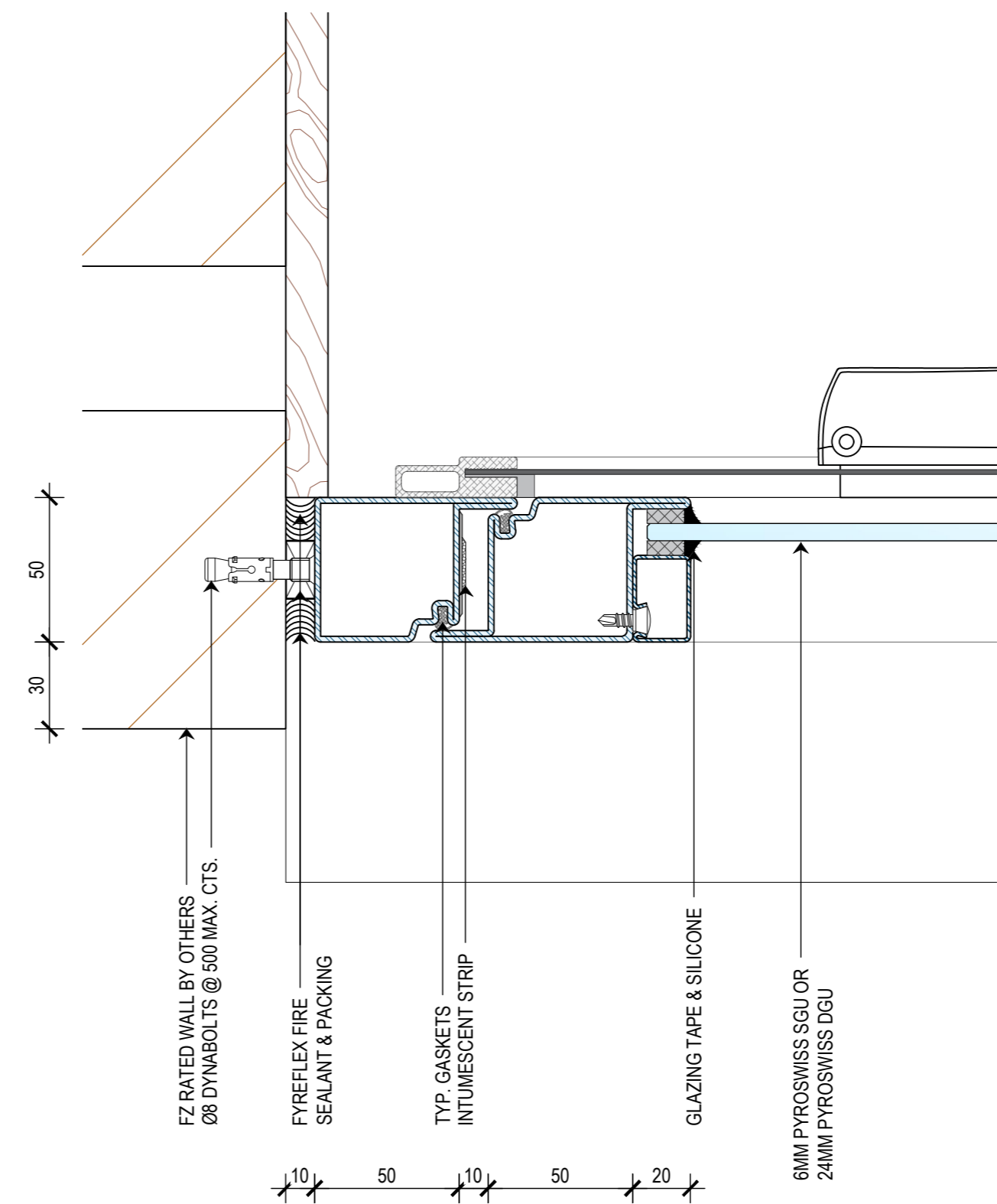
420mm <<< 594mm

THIS DRAWING IS COPYRIGHT AND THE PROPERTY OF THE AUTHOR, AND MUST NOT BE RETAINED, COPIED OR USED WITHOUT THE AUTHORITY OF BUSHFIRE CONTROL PTY. LTD.
 DO NOT SCALE FROM DRAWING. USE PROVIDED DIMENSIONS ONLY.
 ALL DISCREPANCIES MUST BE BROUGHT TO THE ATTENTION OF AUTHOR.
 BUSHFIRE CONTROL DO NOT TAKE RESPONSIBILITY OF MEASUREMENTS PROVIDED BY OTHERS.

CHK	REASON	DATE
A JR	INFORMATION COPY	18/08/2022
B JR	INFORMATION COPY	31/08/2022



A SIDE ELEVATION SECTION - CAVITY BRICK
SCALE 1:2 @ A2



B PLAN VIEW SECTION - CAVITY BRICK
SCALE 1:2 @ A2

DISCLAIMER

INFORMATION GIVEN IN WARRIORWINDOWS.COM.AU AND PUBLICATIONS FOR DOWNLOAD ARE GIVEN TO THE BEST OF OUR KNOWLEDGE AND IN GOOD FAITH. BUSHFIRE CONTROL IS NOT RESPONSIBLE IF RECIPIENTS OF TEST REPORTS, ASSESSMENTS OR LITERATURE MISINTERPRET THE CONTENTS AND WRONGLY USE PRODUCTS BASED ON THOSE MISINTERPRETATIONS. NO LIABILITY IS ACCEPTED FOR ERROR OMISSIONS IN THIS WEB SITE OR OUR DOCUMENTS. IN THE INTERESTS OF IMPROVEMENTS AND CONTINUED DEVELOPMENT BUSHFIRE CONTROL RESERVES THE RIGHT TO CHANGE SPECIFICATION WITHOUT NOTICE.

INFORMATION COPY ONLY



WWW.BUSHFIRECONTROL.COM.AU
 ABN 92 623 863 810
 20 GEORGE YOUNG STREET
 AUBURN, NSW 2144
 EMAIL: INFO@BUSHFIRECONTROL.COM.AU
 FREE CALL: 1800 218 258
 FAX: (02) 9681 1600

PROJECT OPERABLE WINDOW

CLIENT

TITLE SECTION - CAVITY BRICK

SUB SET (CATEGORY) 00 - SPECIFICATIONS

DRAWING NUMBER	REV
SCS-0005	B

DRAWN BY	ISSUE STATUS:
O.K	INFORMATION ONLY

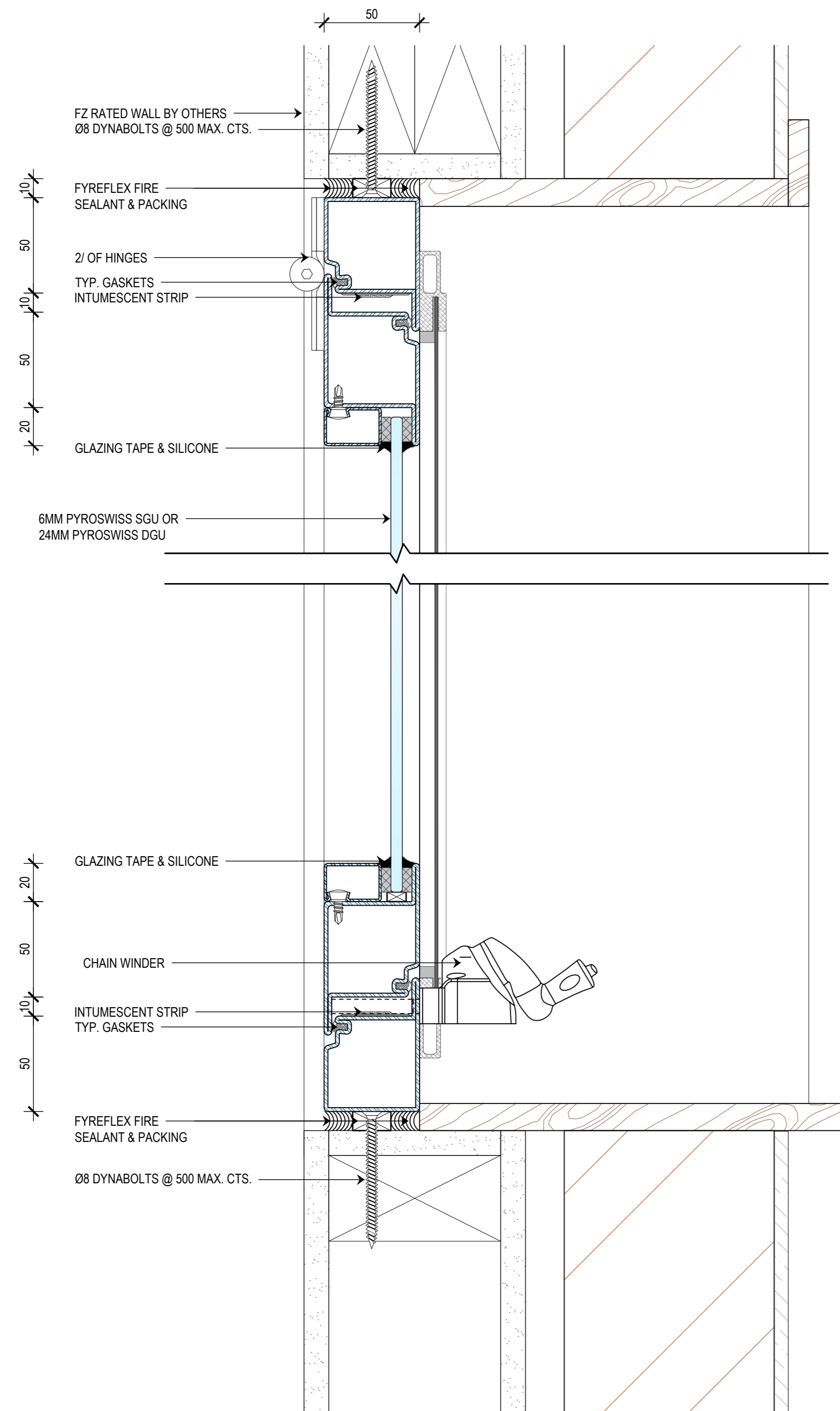
START DATE	SCALE	
18/08/2022	AS SHOWN	@A2

FILE: AUTO/FIRE OPERABLE WINDOW.dwg -- PLOTTED ON 01/09/2022 BY FARZANA MAHMOUD

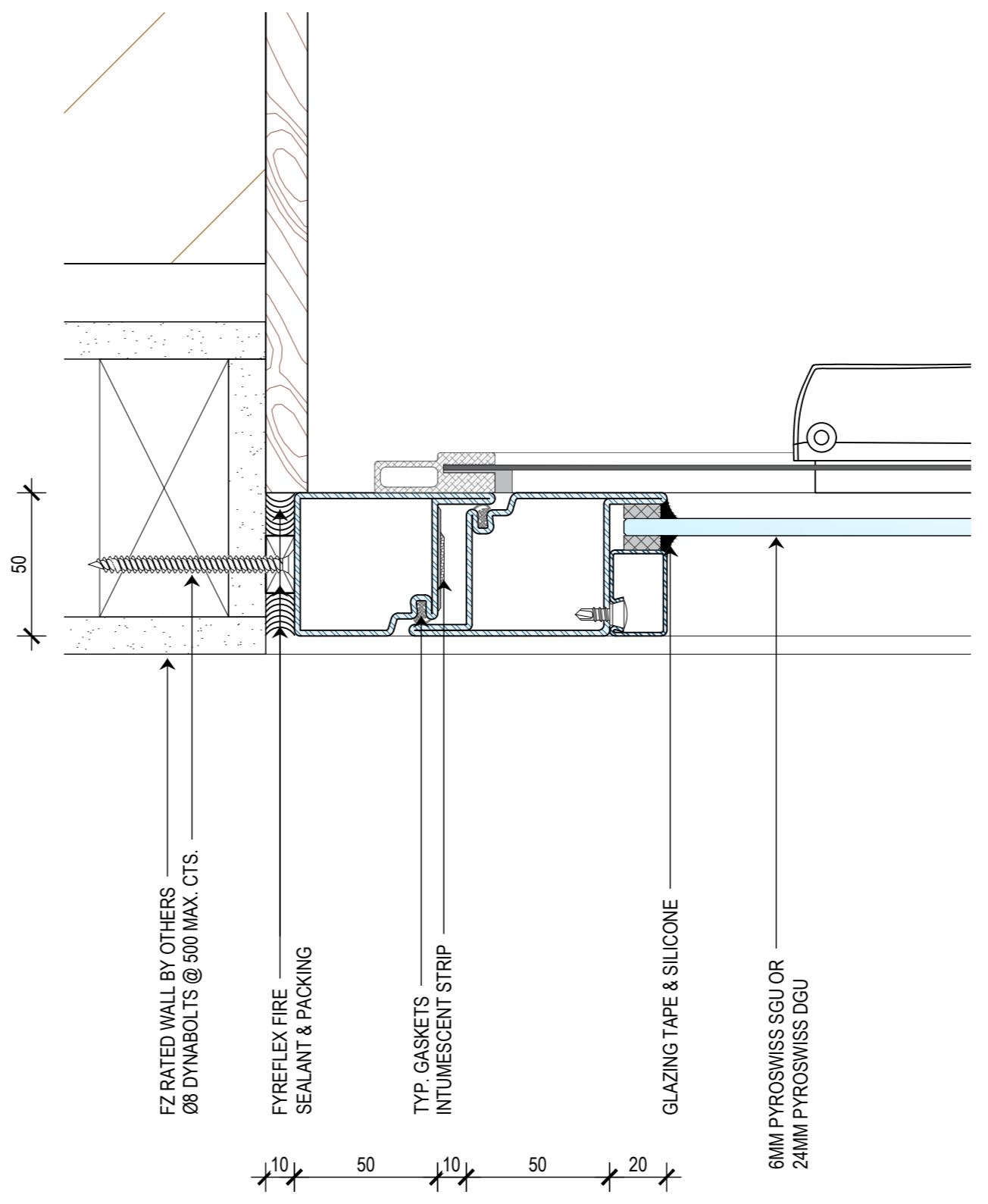
<<< 594mm

THIS DRAWING IS COPYRIGHT AND THE PROPERTY OF THE AUTHOR, AND MUST NOT BE RETAINED, COPIED OR USED WITHOUT THE AUTHORITY OF BUSHFIRE CONTROL PTY. LTD.
 DO NOT SCALE FROM DRAWING. USE PROVIDED DIMENSIONS ONLY.
 ALL DISCREPANCIES MUST BE BROUGHT TO THE ATTENTION OF AUTHOR.
 BUSHFIRE CONTROL DO NOT TAKE RESPONSIBILITY OF MEASUREMENTS PROVIDED BY OTHERS.

CHK	REASON	DATE
A JR	INFORMATION COPY	18/08/2022
B JR	INFORMATION COPY	31/08/2022



A SIDE ELEVATION SECTION - REVERSE BRICK VENEER
 SCALE 1:2 @ A2



B PLAN VIEW SECTION - REVERSE BRICK VENEER
 SCALE 1:2 @ A2

DISCLAIMER

INFORMATION GIVEN IN WARRIORWINDOWS.COM.AU AND PUBLICATIONS FOR DOWNLOAD ARE GIVEN TO THE BEST OF OUR KNOWLEDGE AND IN GOOD FAITH. BUSHFIRE CONTROL IS NOT RESPONSIBLE IF RECIPIENTS OF TEST REPORTS, ASSESSMENTS OR LITERATURE MISINTERPRET THE CONTENTS AND WRONGLY USE PRODUCTS BASED ON THOSE MISINTERPRETATIONS. NO LIABILITY IS ACCEPTED FOR ERROR OMISSIONS IN THIS WEB SITE OR OUR DOCUMENTS. IN THE INTERESTS OF IMPROVEMENTS AND CONTINUED DEVELOPMENT BUSHFIRE CONTROL RESERVES THE RIGHT TO CHANGE SPECIFICATION WITHOUT NOTICE.

INFORMATION COPY ONLY



WWW.BUSHFIRECONTROL.COM.AU
 ABN 92 623 863 810
 20 GEORGE YOUNG STREET
 AUBURN, NSW 2144
 EMAIL: INFO@BUSHFIRECONTROL.COM.AU
 FREE CALL: 1800 218 258
 FAX: (02) 9681 1600

PROJECT
 OPERABLE WINDOW

CLIENT

TITLE
 REVERSE BRICK VENEER

SUB SET (CATEGORY)
 00 - SPECIFICATIONS

DRAWING NUMBER
SCS-0006

REV B

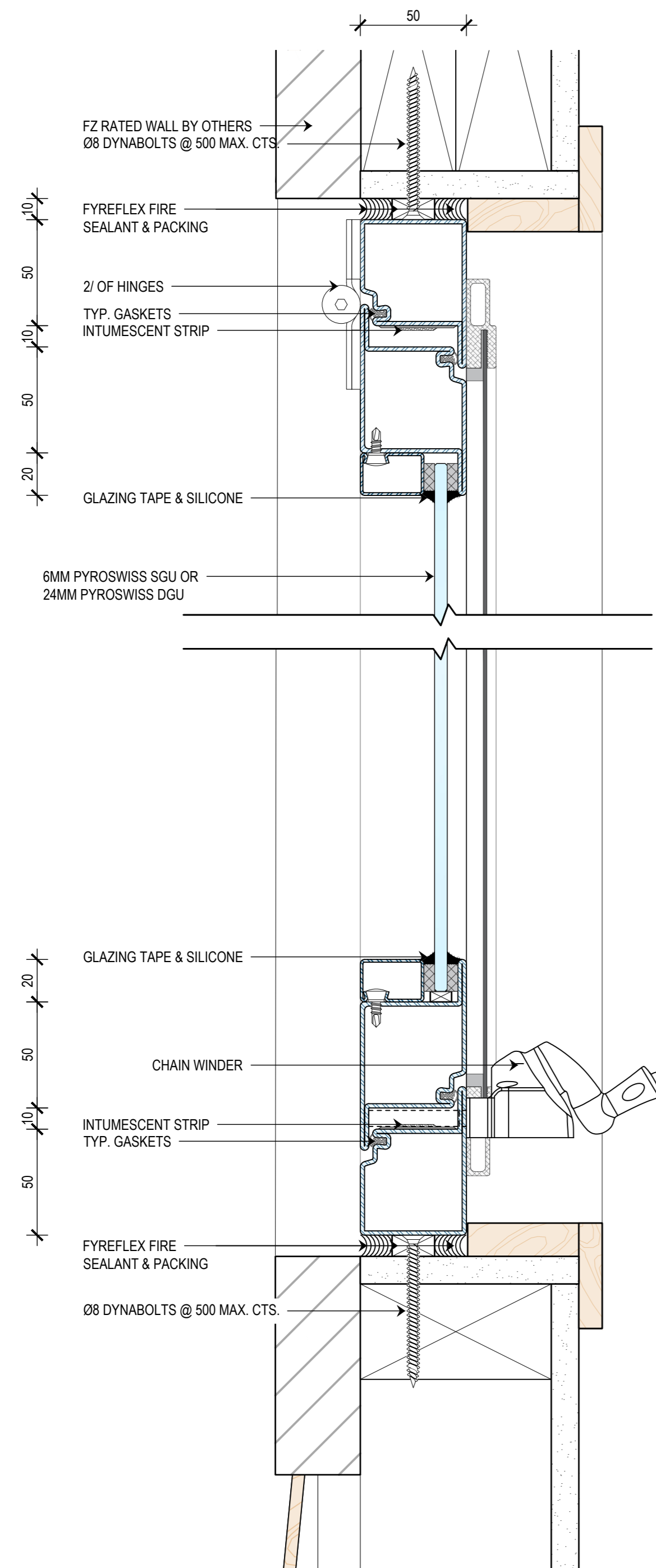
DRAWN BY O.K. ISSUE STATUS: INFORMATION ONLY
 START DATE 18/08/2022 SCALE AS SHOWN @A2

FILE: AUTO/FIRE OPERABLE WINDOW.dwg --- PLOTTED ON 01/09/2022 BY FARZANA MAHMOUD

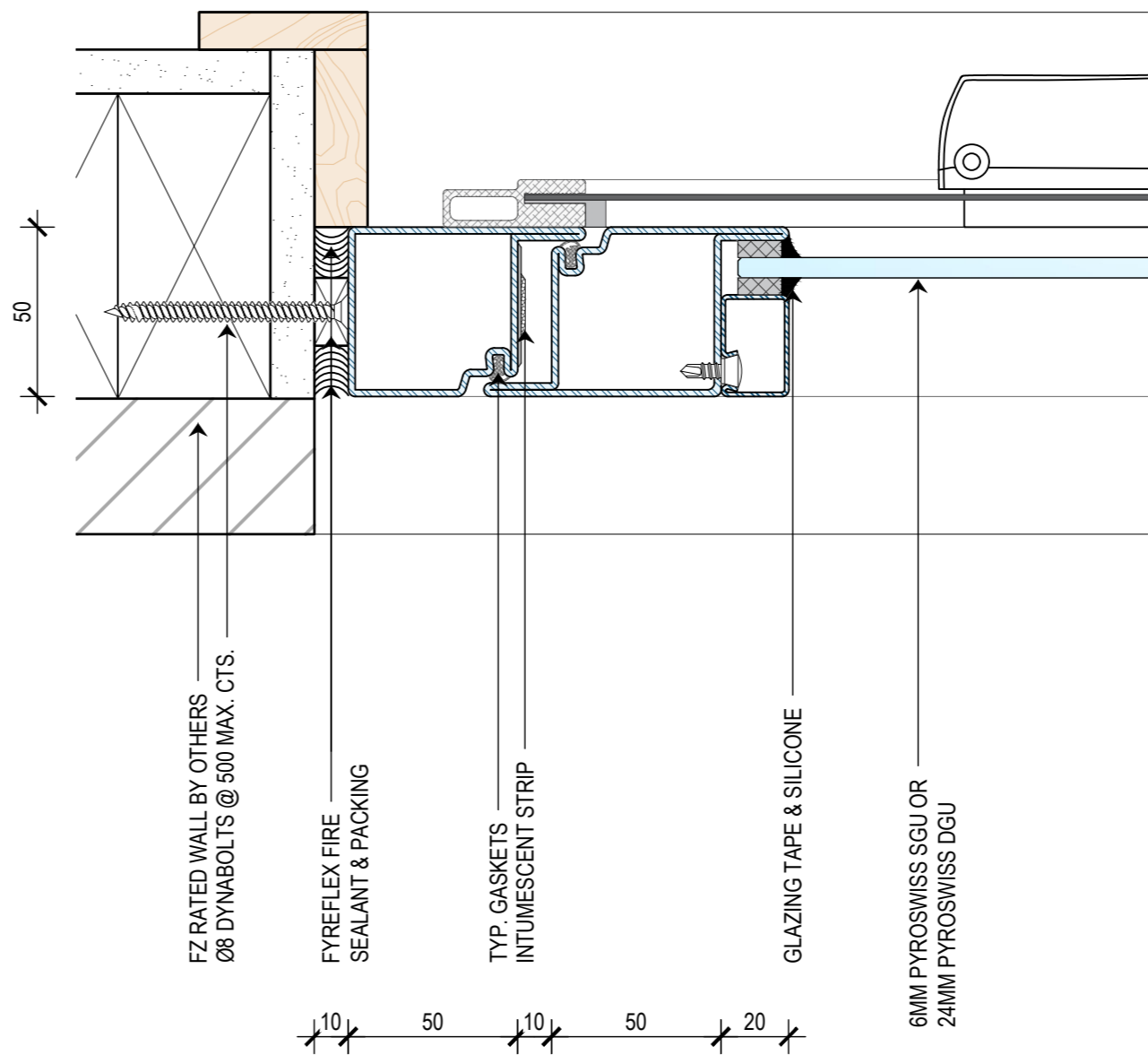
420mm
 <<< 594mm

THIS DRAWING IS COPYRIGHT AND THE PROPERTY OF THE AUTHOR, AND MUST NOT BE RETAINED, COPIED OR USED WITHOUT THE AUTHORITY OF BUSHFIRE CONTROL PTY. LTD.
 DO NOT SCALE FROM DRAWING. USE PROVIDED DIMENSIONS ONLY.
 ALL DISCREPANCIES MUST BE BROUGHT TO THE ATTENTION OF AUTHOR.
 BUSHFIRE CONTROL DO NOT TAKE RESPONSIBILITY OF MEASUREMENTS PROVIDED BY OTHERS.

REV	CHK	REASON	DATE
A	JR	INFORMATION COPY	18/08/2022
B	JR	INFORMATION COPY	31/08/2022



A SIDE ELEVATION SECTION - WEATHERBOARD
 SCALE 1:2 @ A2



B PLAN VIEW SECTION - WEATHERBOARD
 SCALE 1:2 @ A2

DISCLAIMER
 INFORMATION GIVEN IN WARRIORWINDOWS.COM.AU AND PUBLICATIONS FOR DOWNLOAD ARE GIVEN TO THE BEST OF OUR KNOWLEDGE AND IN GOOD FAITH. BUSHFIRE CONTROL IS NOT RESPONSIBLE IF RECIPIENTS OF TEST REPORTS, ASSESSMENTS OR LITERATURE MISINTERPRET THE CONTENTS AND WRONGLY USE PRODUCTS BASED ON THOSE MISINTERPRETATIONS. NO LIABILITY IS ACCEPTED FOR ERROR OMISSIONS IN THIS WEB SITE OR OUR DOCUMENTS. IN THE INTERESTS OF IMPROVEMENTS AND CONTINUED DEVELOPMENT BUSHFIRE CONTROL RESERVES THE RIGHT TO CHANGE SPECIFICATION WITHOUT NOTICE.

INFORMATION COPY ONLY



WWW.BUSHFIRECONTROL.COM.AU
 ABN 92 623 863 810
 20 GEORGE YOUNG STREET
 AUBURN, NSW 2144
 EMAIL: INFO@BUSHFIRECONTROL.COM.AU
 FREE CALL: 1800 218 258
 FAX: (02) 9681 1600

PROJECT
 OPERABLE WINDOW

CLIENT

TITLE
 SECTION - WEATHERBOARD

SUB SET (CATEGORY)
 00 - SPECIFICATIONS

DRAWING NUMBER
SCS-0007

REV
 B

DRAWN BY
 O.K.

ISSUE STATUS:
 INFORMATION ONLY

START DATE
 18/08/2022

SCALE
 AS SHOWN @A2

FILE: AUTO-FIRE OPERABLE WINDOW.dwg --- PLOTTED ON 01/09/2022 BY FARZANA MAHMOUD

420mm <<< 594mm