

AFZ PROJECT:
WARRIOR DOORS



Sheet List Table		
SHEET NUMBER	DESCRIPTION	REV
00 - SPECIFICATIONS		
0001	COVER SHEET	A
0002	WARRIOR FZ SINGLE HINGED DOOR	A
0003	WARRIOR FZ SINGLE HINGED DOOR DETAILS	A
0004	WARRIOR FZ DOUBLE HINGED DOOR	A
0005	WARRIOR FZ DOUBLE HINGED DOOR DETAILS	A

THIS DRAWING IS COPYRIGHT AND THE PROPERTY OF THE AUTHOR, AND MUST NOT BE RETAINED, COPIED OR USED WITHOUT THE AUTHORITY OF BUSHFIRE CONTROL PTY. LTD.
DO NOT SCALE FROM DRAWING. USE PROVIDED DIMENSIONS ONLY.
ALL DISCREPANCIES MUST BE BROUGHT TO THE ATTENTION OF AUTHOR.
BUSHFIRE CONTROL DO NOT TAKE RESPONSIBILITY OF MEASUREMENTS PROVIDED BY OTHERS.

CHK	REASON	DATE
A JR	FOR APPROVAL	17/11/2021

No	DESCRIPTION	REQUIREMENT	RESPONSIBILITY
1	WORKS DONE BY OTHERS	ALL DETAILS PERTAINING TO WORK BY OTHERS IS AN ADVISEMENT ONLY AND IT IS THE RESPONSIBILITY OF THE SUPPLIER AND INSTALLER OF THE ITEM/S TO CONFIRM COMPLIANCE TO ITS SUITABILITY FOR THE PURPOSE AND TO CERTIFY ITS COMPLIANCE TO THE REQUIRED FRL TO THE SATISFACTION OF THE FE OR CERTIFIER.	BUILDER, ARCHITECT, OTHER TRADES
2	SHOP DRAWINGS	APPROVAL OF SHOP DRAWINGS (SIGNATURE AND DATE) IS REQUIRED TO BE RETURNED TO SMOKE CONTROL SYSTEMS BEFORE MANUFACTURE CAN COMMENCE.	BUILDER, ARCHITECT
3	DELIVERIES TO SITE	IF REQD, FORKLIFT TO BE MADE AVAILABLE.	BUILDER
4	VERTICAL MOVEMENT OF PRODUCT	IF REQD, CRANE SHALL BE AVAILABLE TO SMOKE CONTROL SYSTEMS AT AGREED TIME OF DELIVERY. IF THIS IS NOT AVAILABLE, THIS MAY INCUR EXTRA CHARGES.	BUILDER
5	STORAGE	SUFFICIENT CLEAR FLOOR SPACE TO BE MADE AVAILABLE IMMEDIATELY ADJACENT TO EACH INSTALLATION LOCATION.	BUILDER
6	ACCESS TO WORKFACE (INSTALLATION)	ADEQUATE WORKING AREA REQD., MIN 500mm FROM SYSTEM TO STRUCTURE IS IDEAL. SUBJECT TO SITE CONDITIONS.	BUILDER
7	STRUCTURAL OPENINGS	SUITABLY PREPARED STRUCTURAL OPENING, FREE OF OBSTRUCTIONS AND CAPABLE OF RECEIVING OUR STANDARD FIXING TYPE AND SPACING REQUIREMENTS MUST BE PROVIDED BY OTHERS AND READY FOR US PRIOR TO OUR ARRIVAL ON SITE OTHERWISE PRICE WILL VARY.	BUILDER
8	WALL PREPERATION	FLASHINGS AND ASSOCIATED WEATHERPROOFING BY OTHERS. STRUCTURE MUST BE ADEQUATELY FIRE RATED PRIOR TO INSTALLATION OF OUR SYSTEMS.	BUILDER
9	STOPLINE DOORS INCLUDED HARDWARE	STOPLINE DOORS ARE SELF-CLOSING VIA A DORMA TS93 DOOR CLOSER FOR SINGLE LEAF DOORS, AND DORMA GSR FOR DOUBLE LEAF. DOORS WILL BE PROVIDED WITH ASBM30 SERIES SHORT BACKSET MORTICE LOCK - CONFIGURATION AS PER PROVIDED DOOR SCHEDULE. FURNITURE PROVIDED IS FROM THE KABA N100 AND N600 NARROW STYLE SERIES. DOOR STILE WILL COME PRE-PREPARED FOR INSTALLATION OF PADDE ES2000 SERIES ELECTRIC STRIKES.	SMOKE CONTROL SYSTEMS
10	DOOR HARDWARE PROVIDED BY OTHERS	ALL ELECTRIC STRIKES, DOOR STOPS, CARD READERS, PUSH TO EXIT/BREAK GLASS BUTTONS, SIGNAGE, & VISION STRIPS ARE TO BE SUPPLIED & INSTALLED BY OTHERS.	BUILDER
11	CERTIFICATON	WITNESS TESTING, FINAL COMMISSIONING & HANDOVER	SMOKE CONTROL SYSTEMS

LEGEND

NOM.	NOMINAL DETAILS/DIMENSIONS
COS	CHECK DIMENSIONS ON SITE
C/V	CLEAR VIEW
S/O	STRUCTURAL OPENING
FFL	FINISHED FLOOR LEVEL
AFFL	ABOVE FINISHED FLOOR LEVEL
FCL	FINISHED CEILING LEVEL
SSL	STRUCTURAL SLAB LEVEL

FOR APPROVAL
PLEASE PROVIDE NAME, COMPANY, DATE, & SIGNATURE FOR YOUR FORMAL APPROVAL OF THESE SHOP DRAWINGS. THIS IS REQD. FOR SCS TO COMMENCE MANUFACTURE OF PARTS.

BUSHFIRE CONTROL WARRIOR

WWW.BUSHFIRECONTROL.COM.AU

ABN 92 632 863 810
26C FERNDLELL STREET, (ENTRY VIA. STRAITS AVE.)
SOUTH GRANVILLE, NSW 2142

EMAIL: INFO@BUSHFIRECONTROL.COM.AU
FREE CALL: 1800 218 258
FAX: (02) 9681 1600

PROJECT
WARRIOR DOORS

CLIENT

TITLE
COVER SHEET

SUB SET (CATEGORY)
00 - SPECIFICATIONS

DRAWING NUMBER	REV
WARRIOR DOORS-0001	A

DRAWN BY O.K	ISSUE STATUS: FOR APPROVAL
START DATE 17/11/2021	SCALE AS SHOWN @A2

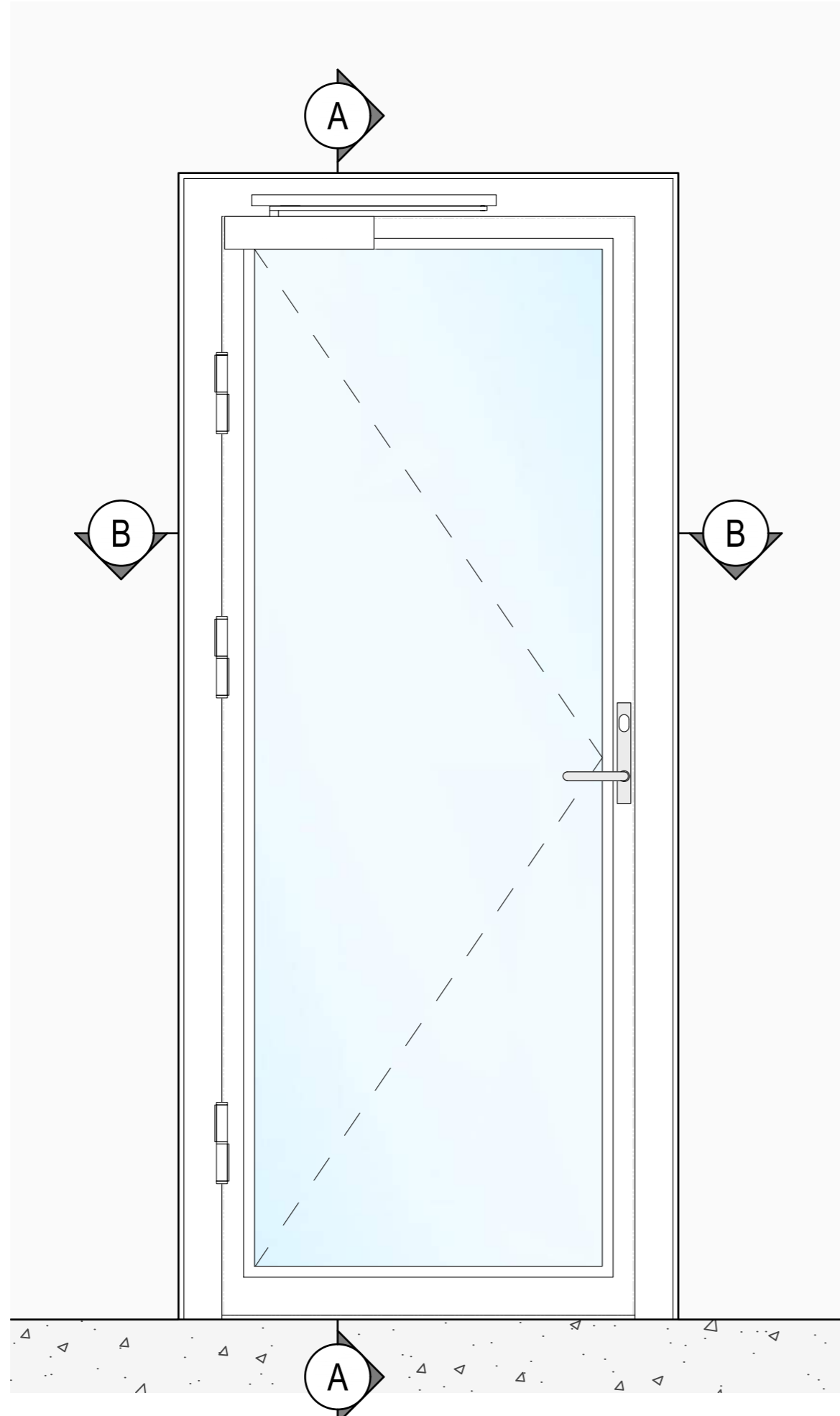
SYSTEM	COMPONENT	MATERIALS	FRL	COLOUR/FINISH
WARRIOR FZ SINGLE HINGED DOOR	FRAME	GALVANISED STEEL	-/60/- AS1530.4	FRAME
	BEAD	GALVANISED STEEL		BEAD
	GLASS	8mm TOUGHENED (TESTED)		GLASS
WARRIOR FZ DOUBLE HINGED DOOR	FRAME	GALVANISED STEEL	-/60/- AS1530.4	FRAME
	BEAD	GALVANISED STEEL		BEAD
	GLASS	8mm TOUGHENED (TESTED)		GLASS
PRODUCT SPECIFICATIONS				

FILE: WARRIOR DOORS.dwg --- PLOTTED ON 02/12/2021 BY OZRA KHADEMI

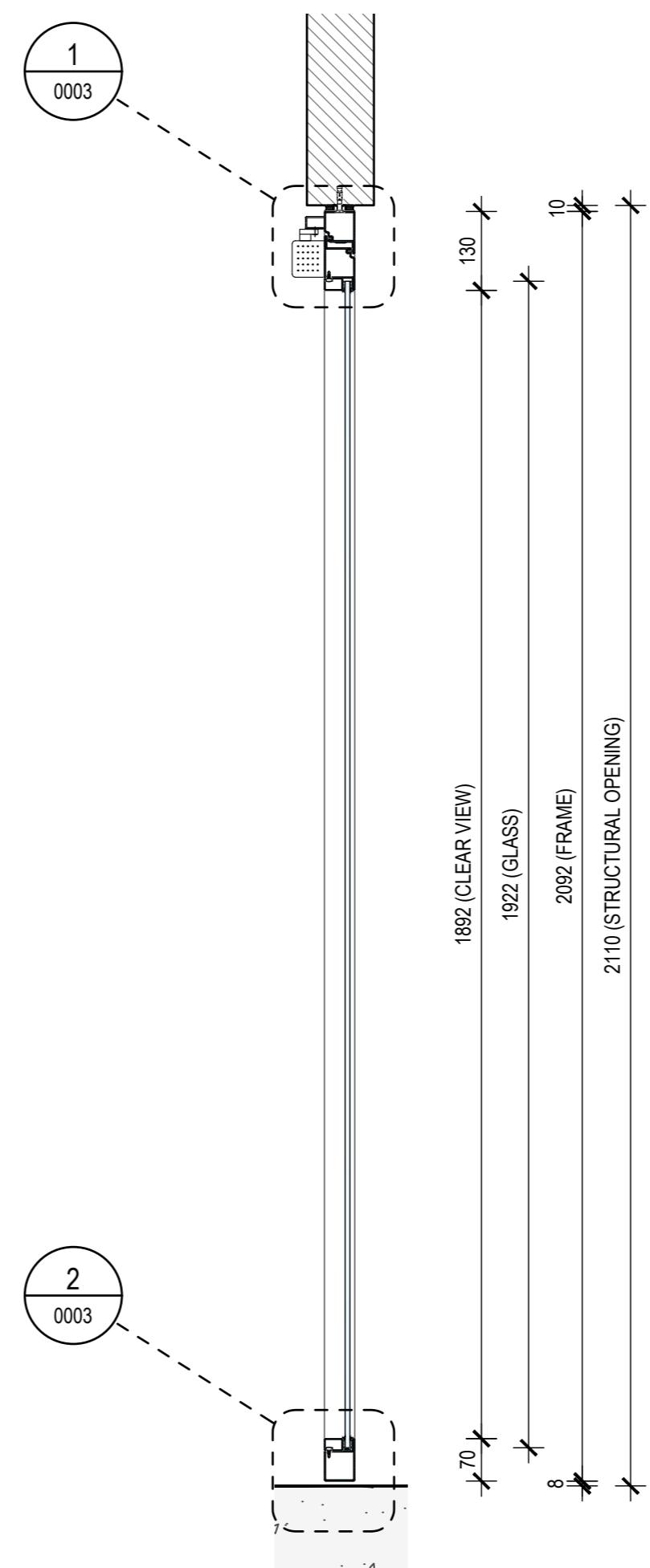
<<< mm 47 <<< 594mm

THIS DRAWING IS COPYRIGHT AND THE PROPERTY OF THE AUTHOR, AND MUST NOT BE RETAINED, COPIED OR USED WITHOUT THE AUTHORITY OF BUSHFIRE CONTROL PTY. LTD.
 DO NOT SCALE FROM DRAWING. USE PROVIDED DIMENSIONS ONLY.
 ALL DISCREPANCIES MUST BE BROUGHT TO THE ATTENTION OF AUTHOR.
 BUSHFIRE CONTROL DO NOT TAKE RESPONSIBILITY OF MEASUREMENTS PROVIDED BY OTHERS.

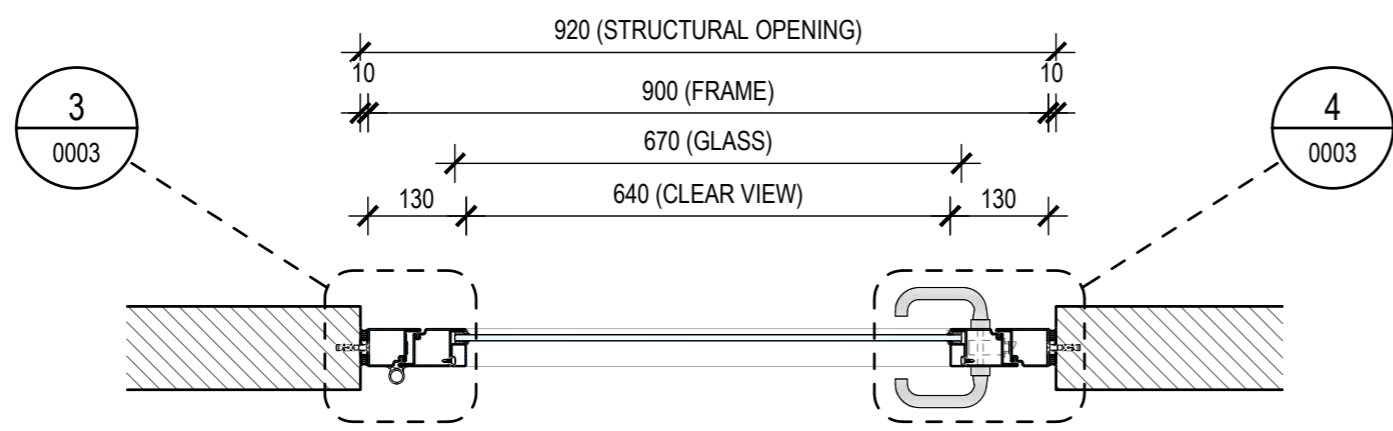
CHK	REASON	DATE
A JR	FOR APPROVAL	17/11/2021



1 FRONT ELEVATION
WARRIOR FZ SINGLE HINGED DOOR
 SCALE 1:10 @ A2



A SECTION VIEW
 SCALE 1:15 @ A2



B SECTION VIEW
 SCALE 1:15 @ A2

LEGEND

NOM.	NOMINAL DETAILS/DIMENSIONS
COS	CHECK DIMENSIONS ON SITE
C/V	CLEAR VIEW
S/O	STRUCTURAL OPENING
FFL	FINISHED FLOOR LEVEL
AFFL	ABOVE FINISHED FLOOR LEVEL
FCL	FINISHED CEILING LEVEL
SSL	STRUCTURAL SLAB LEVEL

FOR APPROVAL
 PLEASE PROVIDE NAME, COMPANY, DATE, & SIGNATURE FOR YOUR FORMAL APPROVAL OF THESE SHOP DRAWINGS. THIS IS REQD. FOR SCS TO COMMENCE MANUFACTURE OF PARTS.

BUSHFIRE CONTROL WARRIOR

WWW.BUSHFIRECONTROL.COM.AU

ABN 92 632 863 810
 26C FERNEDELL STREET, (ENTRY VIA. STRAITS AVE.)
 SOUTH GRANVILLE, NSW 2142

EMAIL: INFO@BUSHFIRECONTROL.COM.AU
 FREE CALL: 1800 218 258
 FAX: (02) 9681 1600

PROJECT
WARRIOR DOORS

CLIENT

TITLE
WARRIOR FZ SINGLE HINGED DOOR

SUB SET (CATEGORY)
00 - SPECIFICATIONS

DRAWING NUMBER
WARRIOR DOORS-0002

DRAWN BY
 O.K.

ISSUE STATUS:
 FOR APPROVAL

START DATE
 17/11/2021

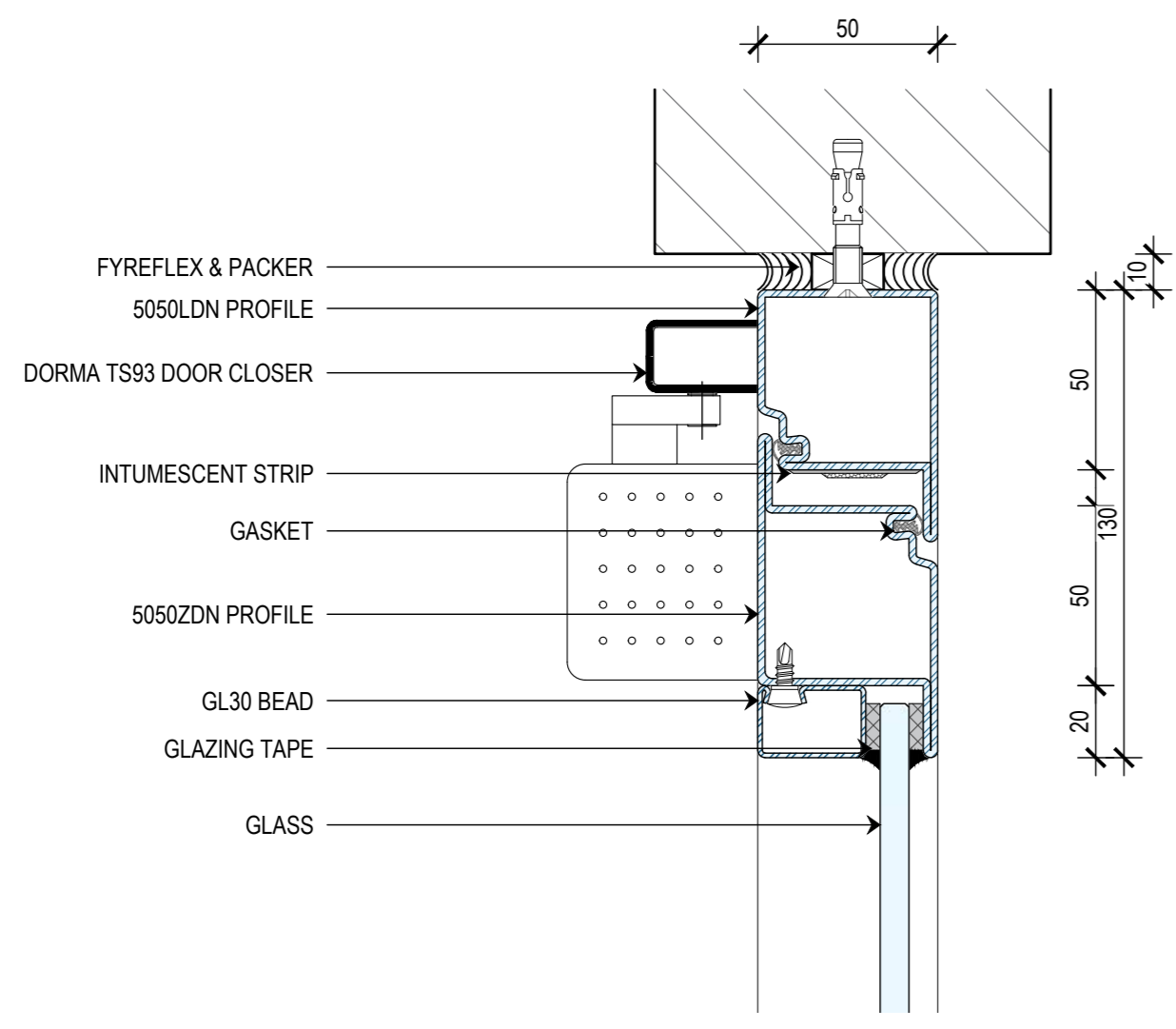
SCALE
 AS SHOWN @A2

FILE: WARRIOR DOORS.dwg --- PLOTTED ON 02/12/2021 BY OZRA KHADEMI

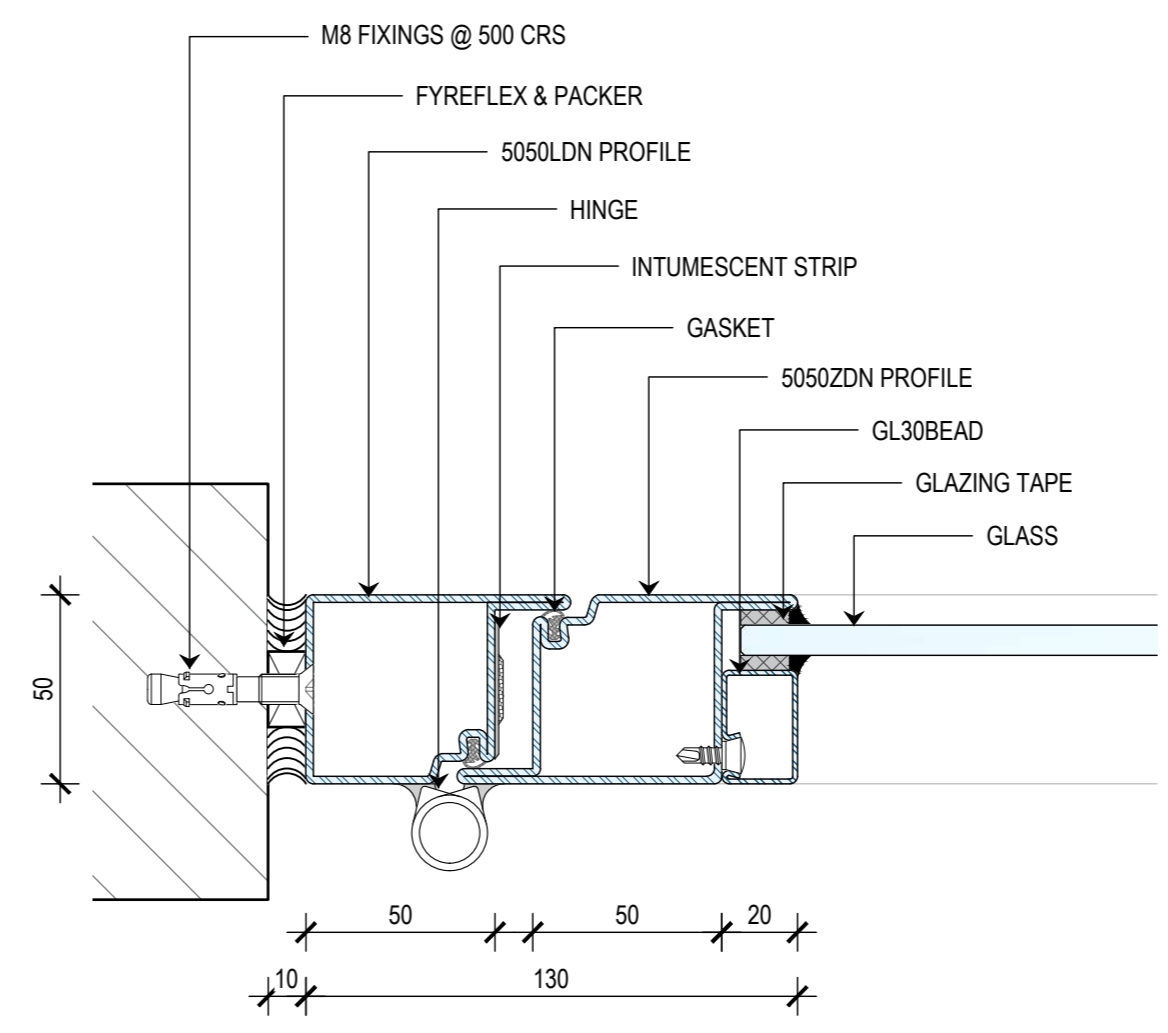
<<< 594mm

THIS DRAWING IS COPYRIGHT AND THE PROPERTY OF THE AUTHOR, AND MUST NOT BE RETAINED, COPIED OR USED WITHOUT THE AUTHORITY OF BUSHFIRE CONTROL PTY. LTD.
 DO NOT SCALE FROM DRAWING. USE PROVIDED DIMENSIONS ONLY.
 ALL DISCREPANCIES MUST BE BROUGHT TO THE ATTENTION OF AUTHOR.
 BUSHFIRE CONTROL DO NOT TAKE RESPONSIBILITY OF MEASUREMENTS PROVIDED BY OTHERS.

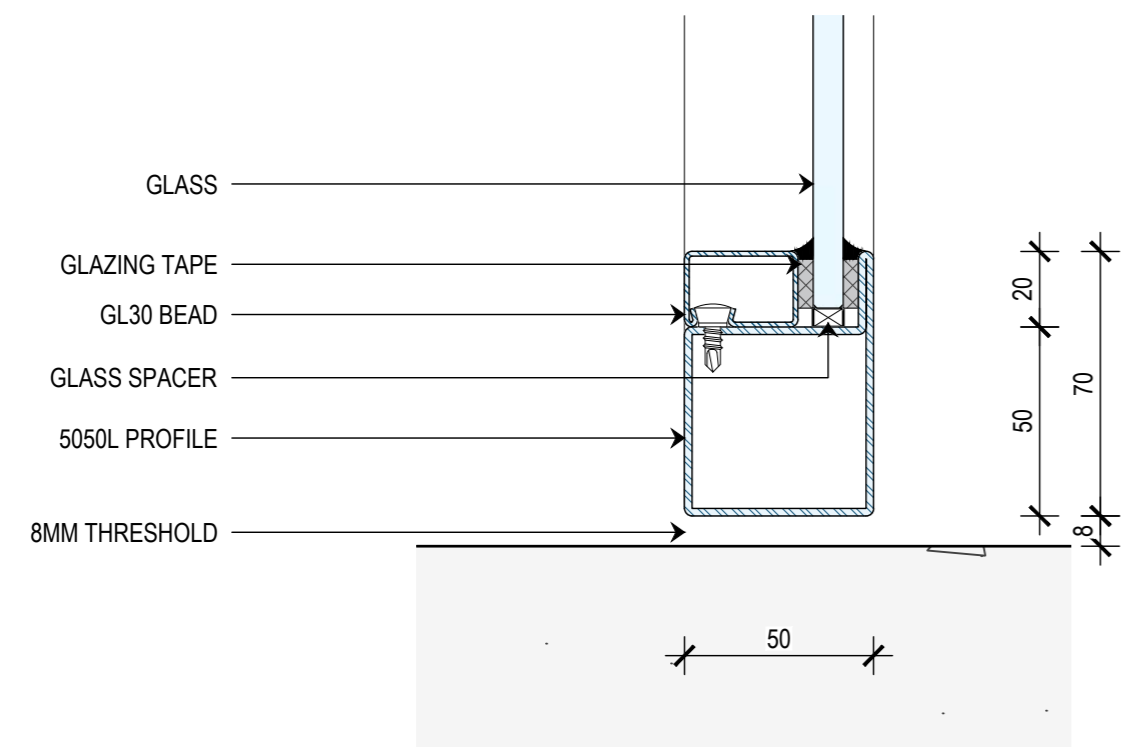
CHK	REASON	DATE
A JR	FOR APPROVAL	17/11/2021



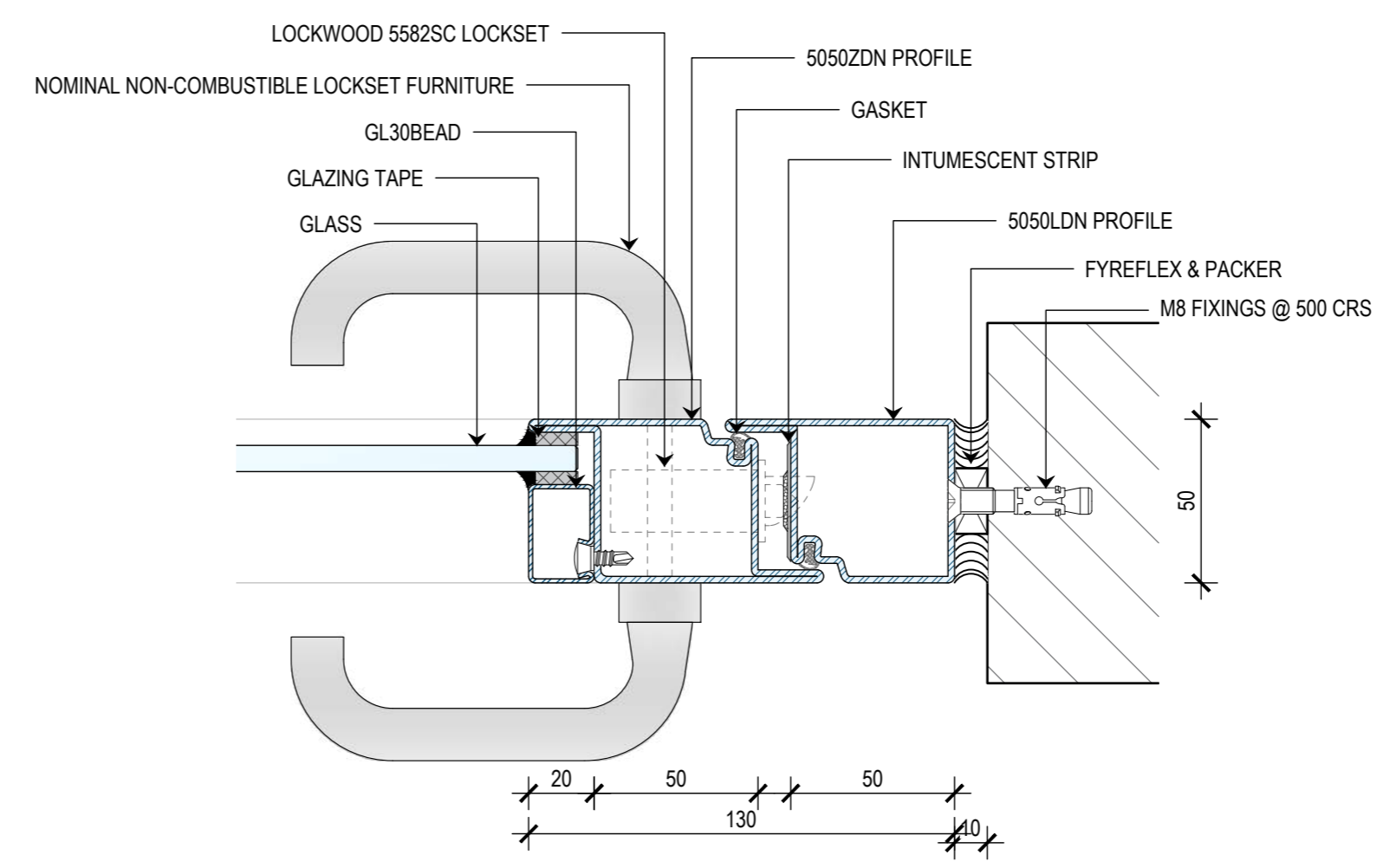
1 DOOR HEAD DETAIL
SCALE 1:2 @ A2



3 DOOR JAMB DETAIL
SCALE 1:2 @ A2



2 DOOR SILL DETAIL
SCALE 1:2 @ A2



4 DOOR JAMB DETAIL
SCALE 1:2 @ A2

LEGEND

NOM.	NOMINAL DETAILS/DIMENSIONS
COS	CHECK DIMENSIONS ON SITE
C/V	CLEAR VIEW
S/O	STRUCTURAL OPENING
FFL	FINISHED FLOOR LEVEL
AFFL	ABOVE FINISHED FLOOR LEVEL
FCL	FINISHED CEILING LEVEL
SSL	STRUCTURAL SLAB LEVEL

FOR APPROVAL

PLEASE PROVIDE NAME, COMPANY, DATE, & SIGNATURE FOR YOUR FORMAL APPROVAL OF THESE SHOP DRAWINGS. THIS IS REQD. FOR SCS TO COMMENCE MANUFACTURE OF PARTS.

BUSHFIRE CONTROL WARRIOR

WWW.BUSHFIRECONTROL.COM.AU

ABN 92 632 863 810
 26C FERNEDELL STREET, (ENTRY VIA. STRAITS AVE.)
 SOUTH GRANVILLE, NSW 2142

EMAIL: INFO@BUSHFIRECONTROL.COM.AU
 FREE CALL: 1800 218 258
 FAX: (02) 9681 1600

PROJECT
WARRIOR DOORS

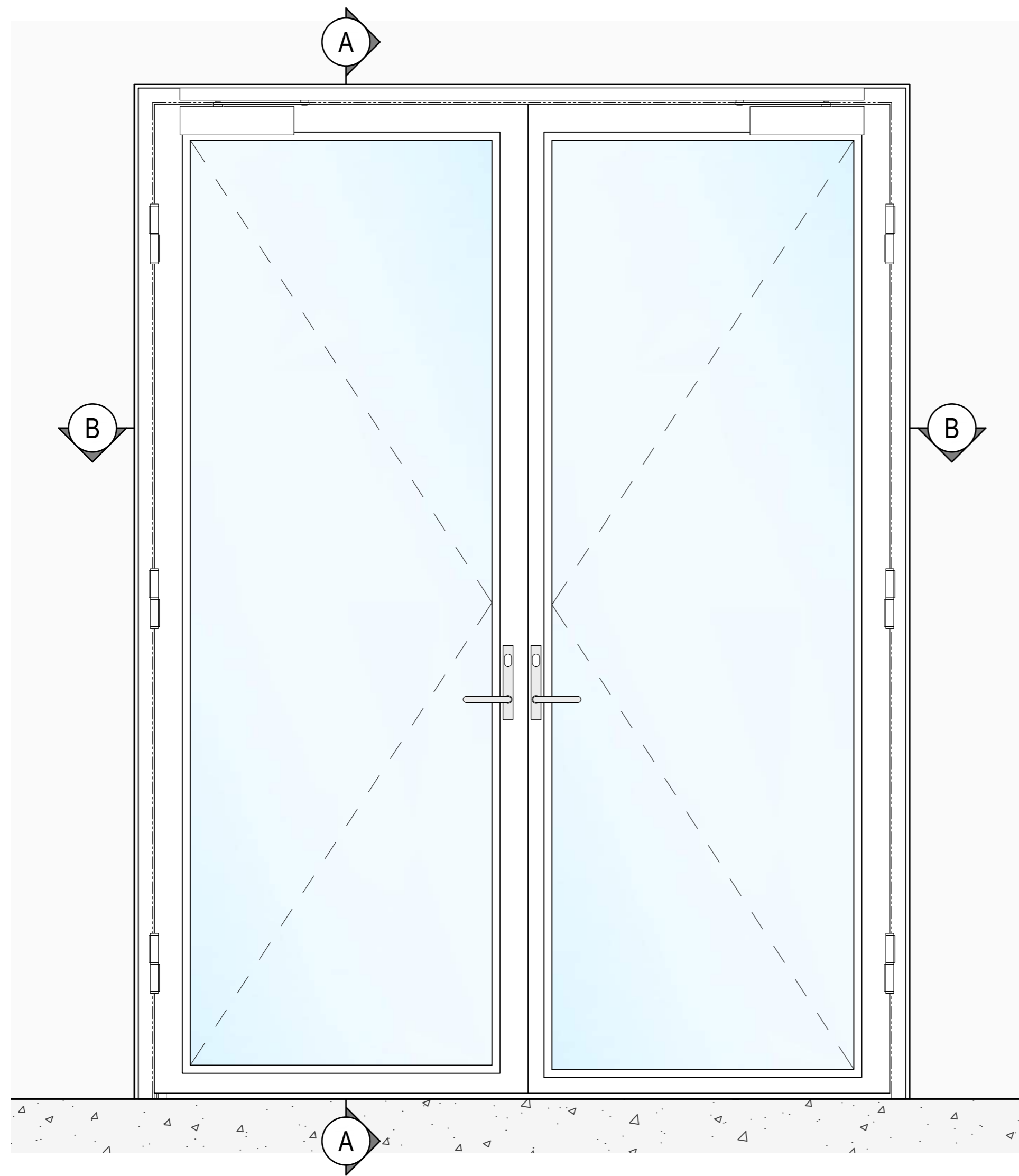
CLIENT

TITLE
WARRIOR FZ SINGLE HINGED DOOR DETAILS

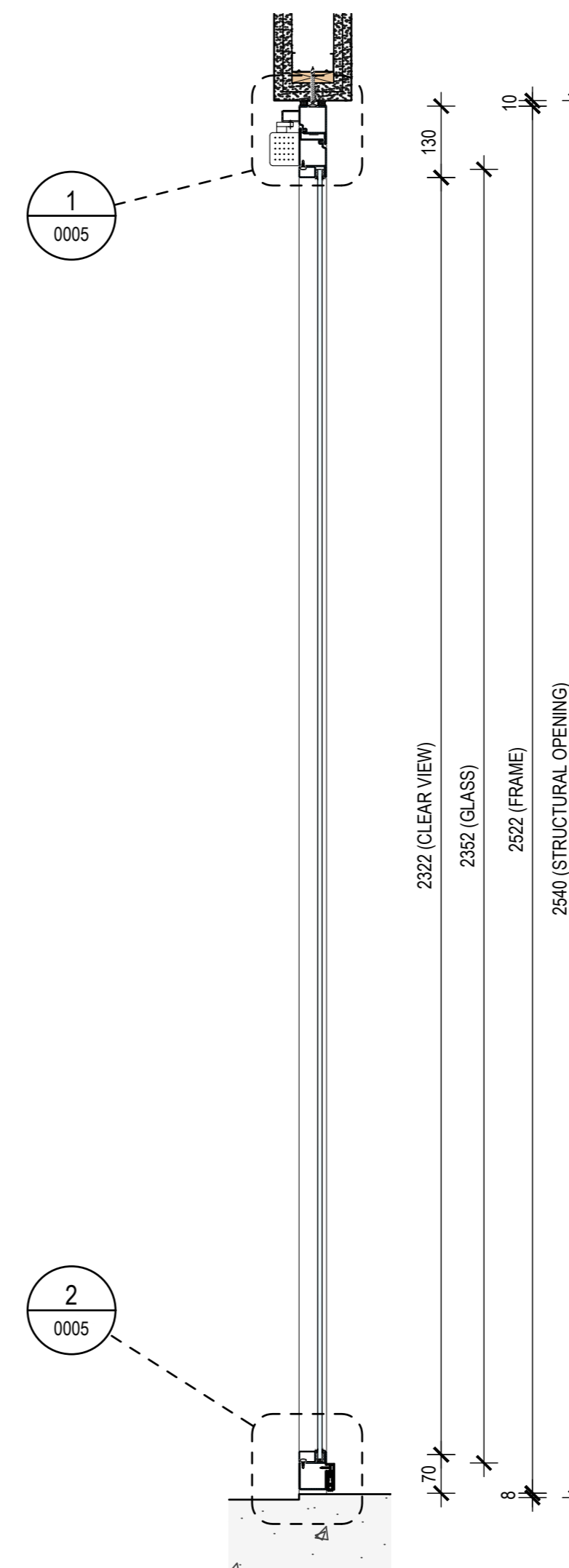
SUB SET (CATEGORY) 00 - SPECIFICATIONS	
DRAWING NUMBER WARRIOR DOORS-0003	REV A
DRAWN BY O.K	ISSUE STATUS: FOR APPROVAL
START DATE 17/11/2021	SCALE AS SHOWN @A2

FILE: WARRIOR DOORS.dwg --- PLOTTED ON 02/12/2021 BY OZRA KHADEMI

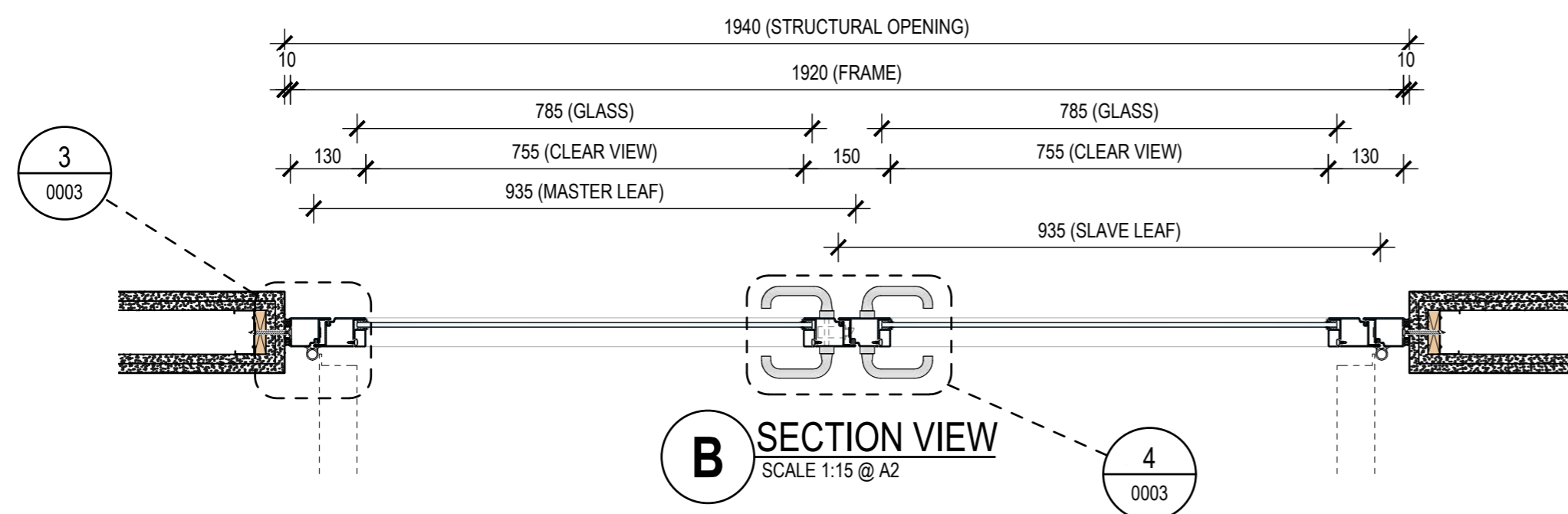
420mm <<< 594mm



1 FRONT ELEVATION
WARRIOR FZ DOUBLE HINGED DOOR
 SCALE 1:10 @ A2



A SECTION VIEW
 SCALE 1:15 @ A2



B SECTION VIEW
 SCALE 1:15 @ A2

THIS DRAWING IS COPYRIGHT AND THE PROPERTY OF THE AUTHOR, AND MUST NOT BE RETAINED, COPIED OR USED WITHOUT THE AUTHORITY OF BUSHFIRE CONTROL PTY. LTD.
 DO NOT SCALE FROM DRAWING. USE PROVIDED DIMENSIONS ONLY.
 ALL DISCREPANCIES MUST BE BROUGHT TO THE ATTENTION OF AUTHOR.
 BUSHFIRE CONTROL DO NOT TAKE RESPONSIBILITY OF MEASUREMENTS PROVIDED BY OTHERS.

CHK	REASON	DATE
A JR	FOR APPROVAL	17/11/2021

LEGEND

NOM.	NOMINAL DETAILS/DIMENSIONS
COS	CHECK DIMENSIONS ON SITE
CV	CLEAR VIEW
S/O	STRUCTURAL OPENING
FFL	FINISHED FLOOR LEVEL
AFFL	ABOVE FINISHED FLOOR LEVEL
FCL	FINISHED CEILING LEVEL
SSL	STRUCTURAL SLAB LEVEL

FOR APPROVAL
 PLEASE PROVIDE NAME, COMPANY, DATE, & SIGNATURE FOR YOUR FORMAL APPROVAL OF THESE SHOP DRAWINGS. THIS IS REQD. FOR SCS TO COMMENCE MANUFACTURE OF PARTS.



WWW.BUSHFIRECONTROL.COM.AU
 ABN 92 632 863 810
 26C FERNEDELL STREET, (ENTRY VIA. STRAITS AVE.)
 SOUTH GRANVILLE, NSW 2142
 EMAIL: INFO@BUSHFIRECONTROL.COM.AU
 FREE CALL: 1800 218 258
 FAX: (02) 9681 1600

PROJECT
WARRIOR DOORS

CLIENT

TITLE
WARRIOR FZ DOUBLE HINGED DOOR

SUB SET (CATEGORY)
00 - SPECIFICATIONS

DRAWING NUMBER
WARRIOR DOORS-0004

DRAWN BY
 O.K.

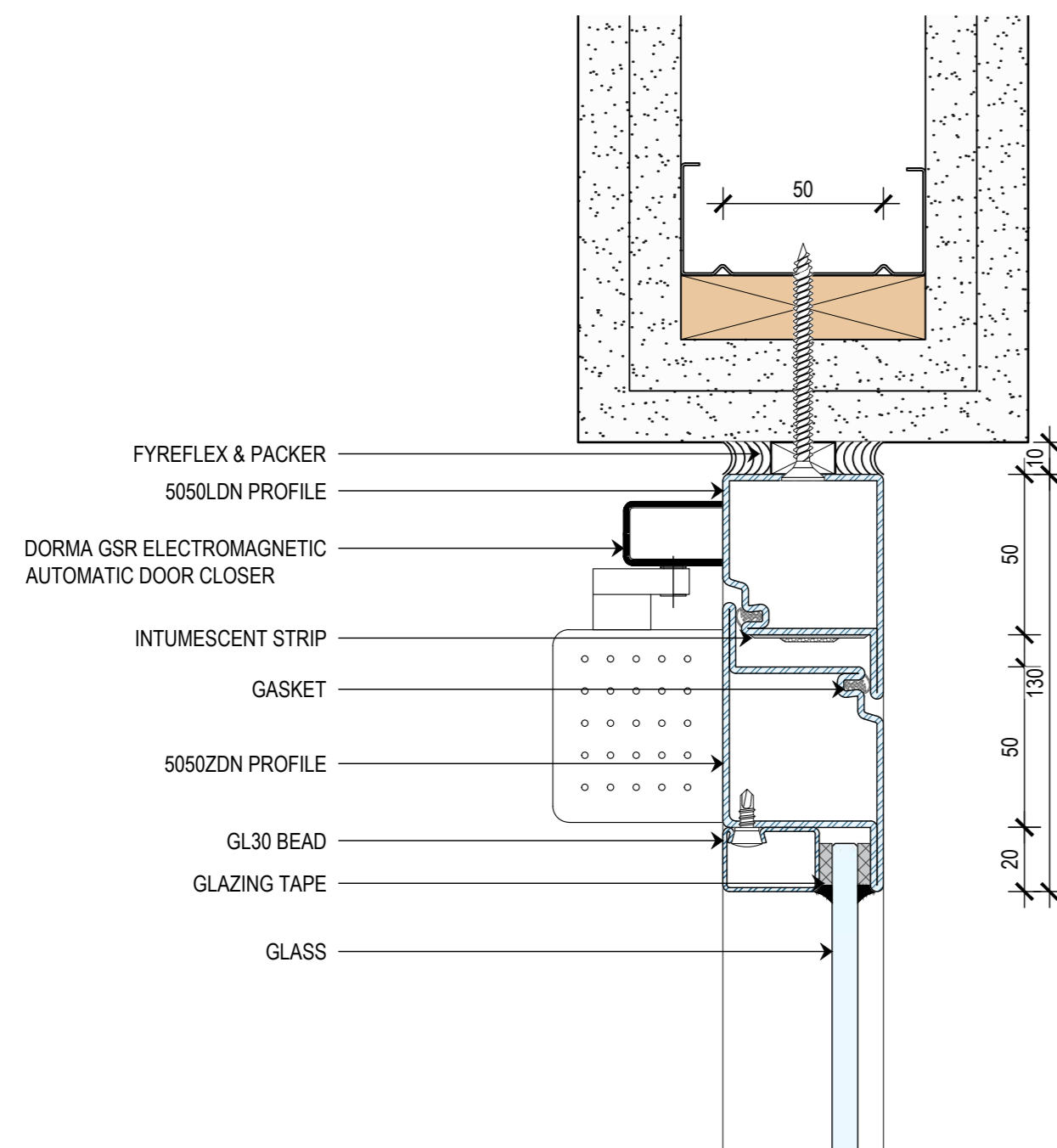
ISSUE STATUS:
 FOR APPROVAL

START DATE
 17/11/2021

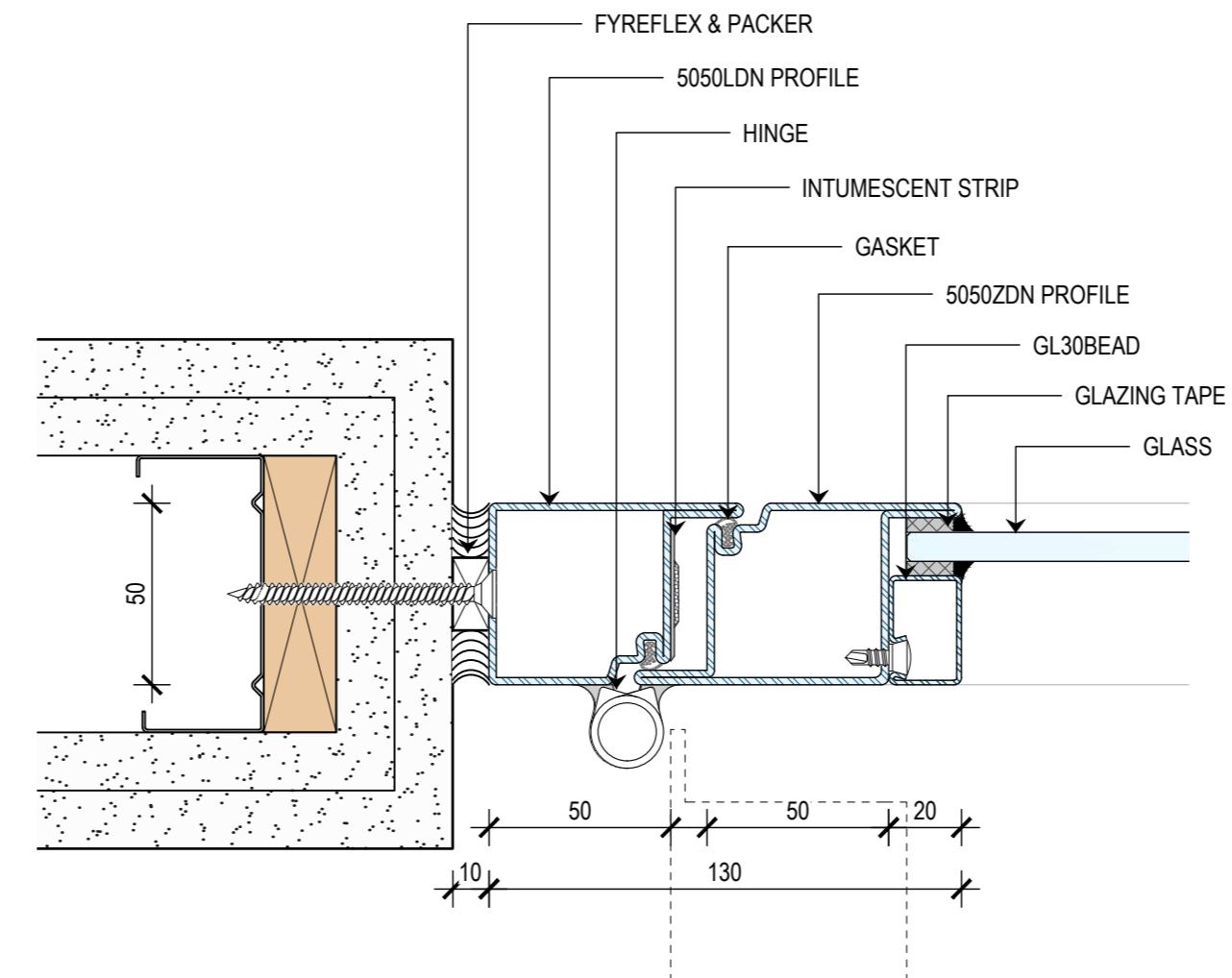
SCALE
 AS SHOWN @A2

THIS DRAWING IS COPYRIGHT AND THE PROPERTY OF THE AUTHOR, AND MUST NOT BE RETAINED, COPIED OR USED WITHOUT THE AUTHORITY OF BUSHFIRE CONTROL PTY. LTD.
 DO NOT SCALE FROM DRAWING. USE PROVIDED DIMENSIONS ONLY.
 ALL DISCREPANCIES MUST BE BROUGHT TO THE ATTENTION OF AUTHOR.
 BUSHFIRE CONTROL DO NOT TAKE RESPONSIBILITY OF MEASUREMENTS PROVIDED BY OTHERS.

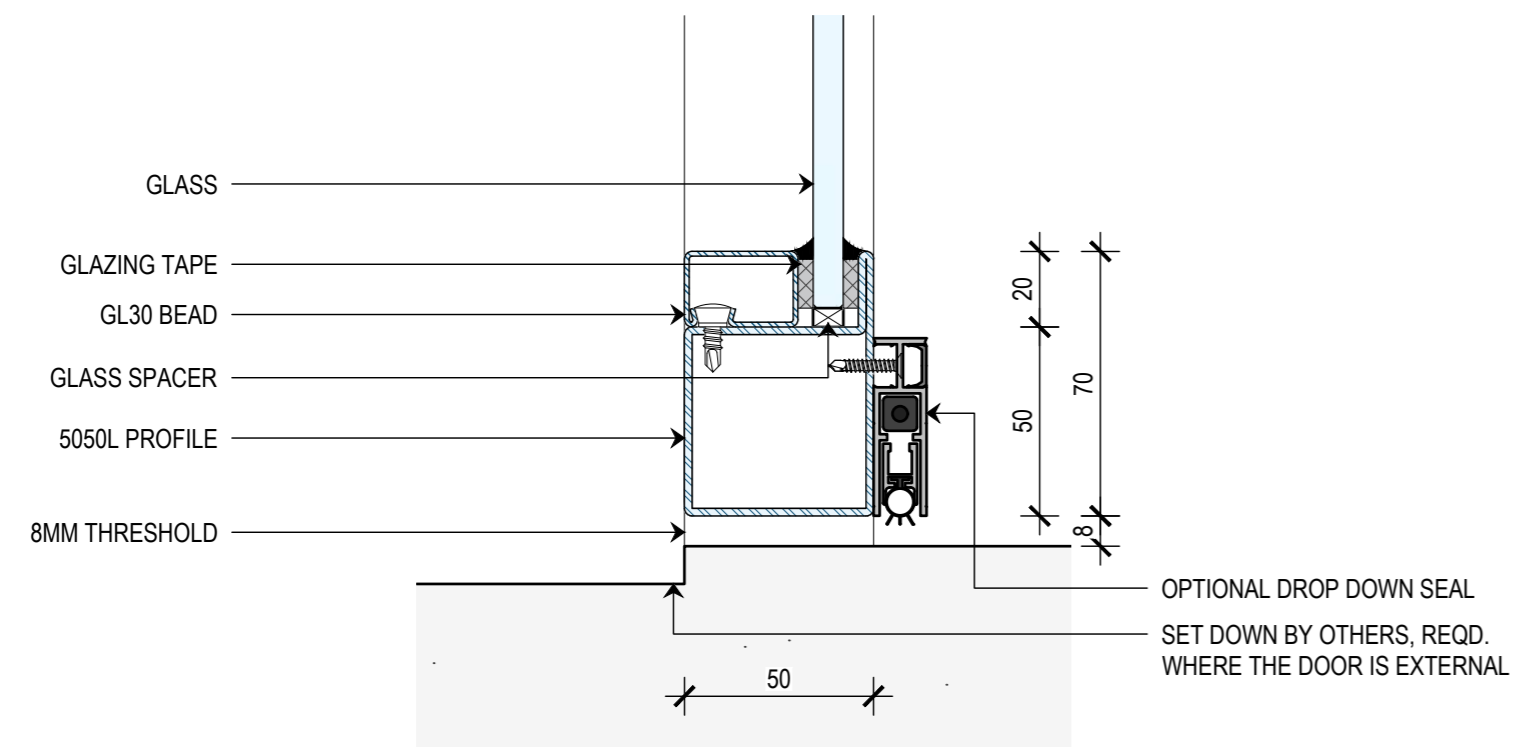
CHK	REASON	DATE
A JR	FOR APPROVAL	17/11/2021



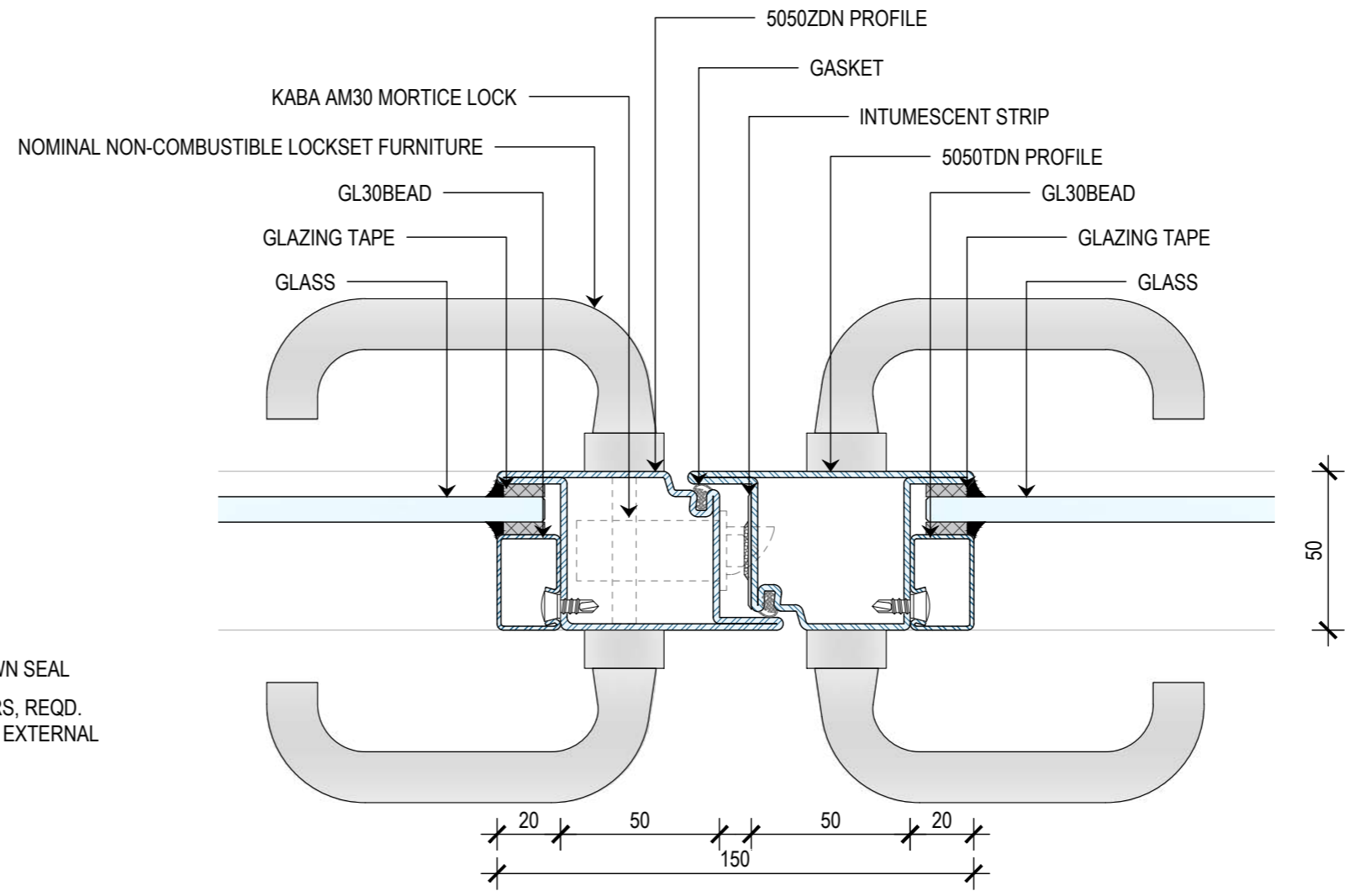
1 DOOR HEAD DETAIL
SCALE 1:2 @ A2



3 DOOR JAMB DETAIL
SCALE 1:2 @ A2



2 DOOR SILL DETAIL
SCALE 1:2 @ A2



4 MULLION DETAIL
SCALE 1:2 @ A2

LEGEND

NOM.	NOMINAL DETAILS/DIMENSIONS
COS	CHECK DIMENSIONS ON SITE
C/V	CLEAR VIEW
S/O	STRUCTURAL OPENING
FFL	FINISHED FLOOR LEVEL
AFFL	ABOVE FINISHED FLOOR LEVEL
FCL	FINISHED CEILING LEVEL
SSL	STRUCTURAL SLAB LEVEL

FOR APPROVAL

PLEASE PROVIDE NAME, COMPANY, DATE, & SIGNATURE FOR YOUR FORMAL APPROVAL OF THESE SHOP DRAWINGS. THIS IS REQD. FOR SCS TO COMMENCE MANUFACTURE OF PARTS.

BUSHFIRE CONTROL WARRIOR

WWW.BUSHFIRECONTROL.COM.AU

ABN 92 632 863 810
 26C FERNEDELL STREET, (ENTRY VIA. STRAITS AVE.)
 SOUTH GRANVILLE, NSW 2142

EMAIL: INFO@BUSHFIRECONTROL.COM.AU
 FREE CALL: 1800 218 258
 FAX: (02) 9681 1600

PROJECT
WARRIOR DOORS

CLIENT

TITLE
WARRIOR FZ DOUBLE HINGED DOOR DETAILS

SUB SET (CATEGORY) 00 - SPECIFICATIONS	
DRAWING NUMBER WARRIOR DOORS-0005	REV A
DRAWN BY O.K	ISSUE STATUS: FOR APPROVAL
START DATE 17/11/2021	SCALE AS SHOWN @A2

FILE: WARRIOR DOORS.dwg --- PLOTTED ON 02/12/2021 BY OZRA KHADEMI

<<< 594mm