

AFZ PROJECT: BUSHFIRE CONTROL - WARRIOR FZ MANUAL SHUTTER TEMPLATE



Sheet List Table		
SHEET NUMBER	SHEET DESCRIPTION	REV
00 - SPECIFICATIONS		
0001	COVER SHEET	A
01 - WARRIOR FZ MANUAL SHUTTERS		
0101	FRONT ELEVATION	A
0102	CLOSEUP DETAIL	A

No	DESCRIPTION	REQUIREMENT	RESPONSIBILITY
1	WORKS DONE BY OTHERS	ALL DETAILS PERTAINING TO WORK BY OTHERS IS AN ADVISEMENT ONLY AND IT IS THE RESPONSIBILITY OF THE SUPPLIER AND INSTALLER OF THE ITEM/S TO CONFIRM COMPLIANCE TO ITS SUITABILITY FOR THE PURPOSE AND TO CERTIFY ITS COMPLIANCE TO THE REQUIRED FRL TO THE SATISFACTION OF THE FE OR CERTIFIER.	BUILDER, ARCHITECT, OTHER TRADES
2	SHOP DRAWINGS	APPROVAL OF SHOP DRAWINGS (SIGNATURE AND DATE) IS REQUIRED TO BE RETURNED TO BUSHFIRE CONTROL BEFORE MANUFACTURE CAN COMMENCE.	BUILDER, ARCHITECT
3	DELIVERIES TO SITE	IF REQD, FORKLIFT TO BE MADE AVAILABLE.	BUILDER
4	VERTICAL MOVEMENT OF PRODUCT	IF REQD, CRANE SHALL BE AVAILABLE TO BUSHFIRE CONTROL AT AGREED TIME OF DELIVERY. IF THIS IS NOT AVAILABLE, THIS MAY INCUR EXTRA CHARGES.	BUILDER
5	STORAGE	SUFFICIENT CLEAR FLOOR SPACE TO BE MADE AVAILABLE IMMEDIATELY ADJACENT TO EACH INSTALLATION LOCATION.	BUILDER
6	ACCESS TO WORKFACE (INSTALLATION)	ADEQUATE WORKING AREA REQD., MIN 500mm FROM SYSTEM TO STRUCTURE IS IDEAL. SUBJECT TO SITE CONDITIONS.	BUILDER
7	POSSIBLE OBSTRUCTIONS (WHERE PRESENT)	THERE MUST NOT BE ANYTHING INTERFERING WITH THE OPERATION OF SHUTTER IN ANY WAY. MIN. 100mm FROM SYSTEM TO ANY POSSIBLE OBSTRUCTION TO DROP LINE OF BOTTOM BAR IS IDEAL.	BUILDER
8	ACCESS PANELS (INSTALLATION WITHIN CEILING CAVITY)	450X450 NOM. ACCESS PANELS TO BE PROVIDED AT THE NOMINATED LOCATION OF SHUTTER CONTROLLER. MAY NOT BE REQD. WHERE REMOVABLE GRID CEILING ALLOWS FOR CLEAR ACCESS TO SHUTTER CONTROLLERS.	BUILDER, CEILING CONTRACTOR
9	POWER REQUIREMENTS	FOR ALL MOTORISED SHUTTERS, A 240 VOLT 10 AMP GPO TO BE LOCATED WITHIN 1 METRE OF SHUTTER HEAD BOX ON MOTOR SIDE. RUNNING OF POWER CABLE THROUGH WALL AND ALL ASSOCIATED FLASHING/WATERPROOFING BY OTHERS.	BUILDER, ELECTRICAL
10	ACTIVATION	MOTORISED SHUTTER ARE ACTIVATED MANUALLY VIA A CONTROL SWITCH. CONTROL SWITCH TO BE LOCATED ON INTERNAL AND EXTERNAL FACE OF WALL ADJACENT TO SHUTTER SYSTEM. RUNNING OF CABLES THROUGH WALL AND ALL ASSOCIATED FLASHING/WATERPROOFING BY OTHERS. WINDOWSHIELD ARE MANUALLY RELEASED BY HAND BY UNTIEING CABLE.	BUSHFIRE CONTROL, BUILDER
11	CERTIFICATON	WITNESS TESTING, FINAL COMMISSIONING & HANDOVER	BUSHFIRE CONTROL

- THIS DRAWING IS COPYRIGHT AND THE PROPERTY OF THE AUTHOR, AND MUST NOT BE RETAINED, COPIED OR USED WITHOUT THE AUTHORITY OF BUSHFIRE CONTROL PTY. LTD.
- DO NOT SCALE FROM DRAWING. USE PROVIDED DIMENSIONS ONLY.
- ALL DISCREPANCIES MUST BE BROUGHT TO THE ATTENTION OF AUTHOR.
- SMOKE CONTROL SYSTEMS DO NOT TAKE RESPONSIBILITY OF MEASUREMENTS PROVIDED BY OTHERS.

CHK	REASON	DATE
A	RELEASED	27/08/2020

DISCLAIMER

INFORMATION GIVEN IN WARRIORWINDOWS.COM.AU AND PUBLICATIONS FOR DOWNLOAD ARE GIVEN TO THE BEST OF OUR KNOWLEDGE AND IN GOOD FAITH. BUSHFIRE CONTROL IS NOT RESPONSIBLE IF RECIPIENTS OF TEST REPORTS, ASSESSMENTS OR LITERATURE MISINTERPRET THE CONTENTS AND WRONGLY USE PRODUCTS BASED ON THOSE MISINTERPRETATIONS. NO LIABILITY IS ACCEPTED FOR ERROR OMISSIONS IN THIS WEB SITE OR OUR DOCUMENTS. IN THE INTERESTS OF IMPROVEMENTS AND CONTINUED DEVELOPMENT BUSHFIRE CONTROL RESERVES THE RIGHT TO CHANGE SPECIFICATION WITHOUT NOTICE.

INFORMATION COPY ONLY



WWW.BUSHFIRECONTROL.COM.AU
 ABN 92 623 863 810
 20 GEORGE YOUNG STREET
 AUBURN, NSW 2144
 EMAIL: INFO@BUSHFIRECONTROL.COM.AU
 FREE CALL: 1800 218 258
 FAX: (02) 9681 1600

PROJECT
 SCS/BC - WS TEMP
 BUSHFIRE CONTROL - WARRIOR FZ MANUAL SHUTTER TEMPLATE

CLIENT

TITLE
 COVER SHEET

SUB SET (CATEGORY)
 00 - SPECIFICATIONS

DRAWING NUMBER	REV
SCS/BC - WS TEMP-0001	A

DRAWN BY ISHTIAQUE ALAM	ISSUE STATUS: INFORMATION ONLY
----------------------------	-----------------------------------

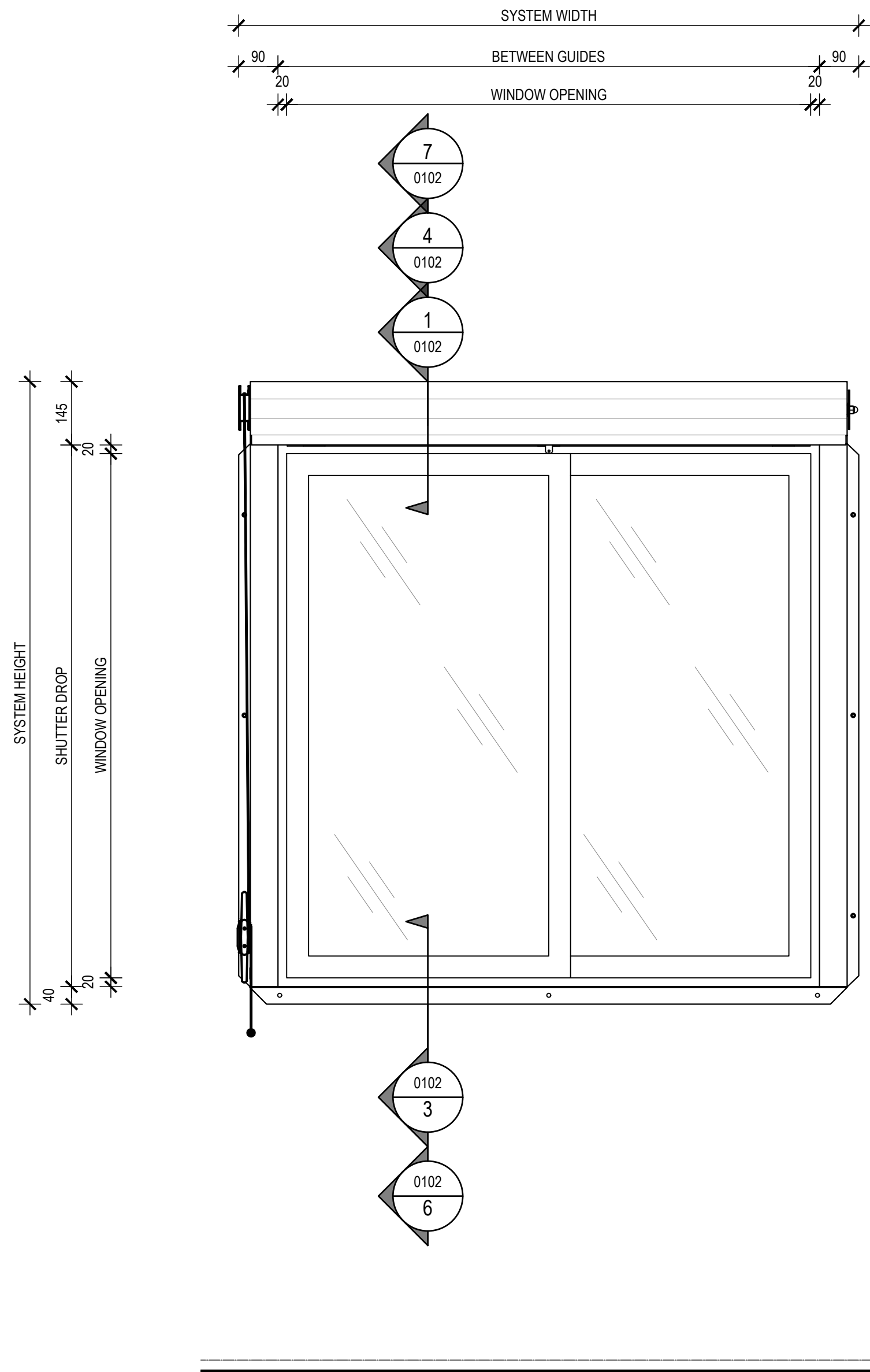
START DATE 20/07/2020	SCALE AS SHOWN	@A2
--------------------------	-------------------	-----

SYSTEM	COMPONENT	MATERIALS	FRL	COLOUR/FINISH
WARRIOR FZ MANUAL SHUTTER	HEAD BOX & BOTTOM BAR	GALVANISED STEEL	BAL FZ AS1530.8.2	POWDER COATING TO DULUX DURALLOY COLOURS IS INCLUDED. OTHER NON-STANDARD COLOURS OR GRADES WILL INCUR AN EXTRA CHARGE UNLESS STATED OR AGREED UPON OTHERWISE WILL COME IN RAW GALVANISED FINISH IF COLOUR IS NOT PROVIDED BY CLIENT
	SIDE GUIDES	GALVANISED STEEL		
	FABRIC	1100°C RATED		

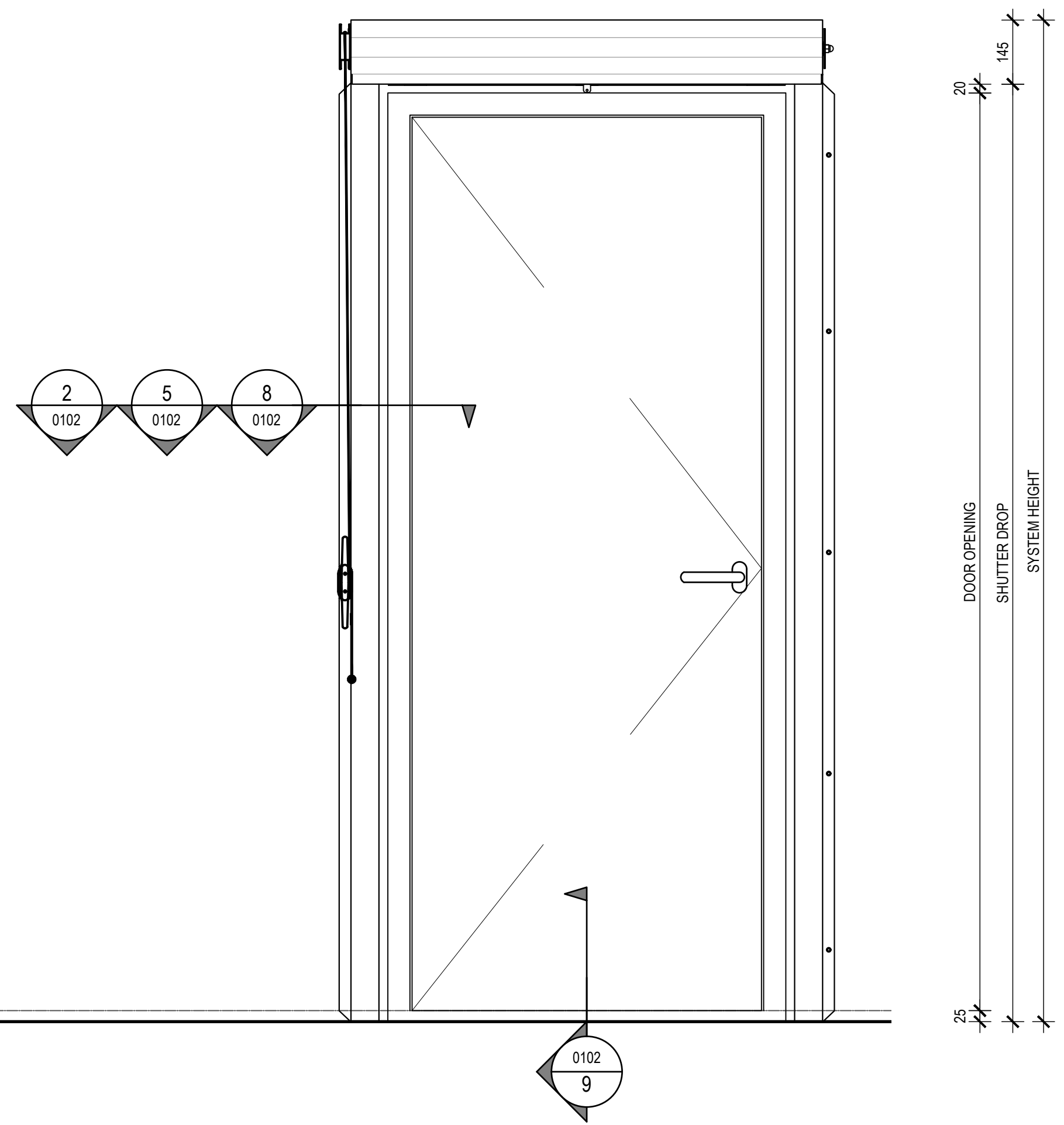
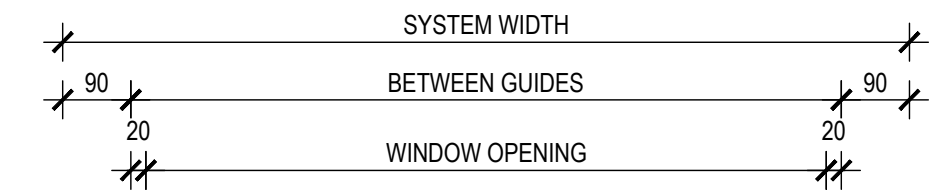
PRODUCT SPECIFICATIONS

FILE: Bushfire Control - Warrior FZ Shutter.dwg --- PLOTTED ON 30/06/2022 BY OZRA KHADEMI

<<< mm027 <<< 594mm



1 FRONT ELEVATION - VIEW FROM OUTSIDE
WARRIOR FZ MANUAL SHUTTERS OVER WINDOW
 SCALE 1:10 @ A2



2 FRONT ELEVATION - VIEW FROM OUTSIDE
WARRIOR FZ MANUAL SHUTTERS OVER DOOR
 SCALE 1:10 @ A2

- NOTES:**
1. WINDOW/DOOR SIZES ARE NOMINAL
 2. MAXIMUM WINDOW/DOOR OPENING IS 2.7m WIDE x 2.5m HIGH. ANY WINDOWS/DOORS ABOVE THESE DIMENSIONS WILL BE REQUIRED TO BE WARRIOR FZ MOTORISED SHUTTER.
 3. AWNING TYPE WINDOWS AND DOORS MUST OPEN AWAY FROM WARRIOR SYSTEM.

THIS DRAWING IS COPYRIGHT AND THE PROPERTY OF THE AUTHOR, AND MUST NOT BE RETAINED, COPIED OR USED WITHOUT THE AUTHORITY OF BUSHFIRE CONTROL PTY. LTD.
 DO NOT SCALE FROM DRAWING. USE PROVIDED DIMENSIONS ONLY.
 ALL DISCREPANCIES MUST BE BROUGHT TO THE ATTENTION OF AUTHOR.
 SMOKE CONTROL SYSTEMS DO NOT TAKE RESPONSIBILITY OF MEASUREMENTS PROVIDED BY OTHERS.

CHK	REASON	DATE
A	RELEASED	27/08/2020

DISCLAIMER

INFORMATION GIVEN IN WARRIORWINDOWS.COM.AU AND PUBLICATIONS FOR DOWNLOAD ARE GIVEN TO THE BEST OF OUR KNOWLEDGE AND IN GOOD FAITH. BUSHFIRE CONTROL IS NOT RESPONSIBLE IF RECIPIENTS OF TEST REPORTS, ASSESSMENTS OR LITERATURE MISINTERPRET THE CONTENTS AND WRONGLY USE PRODUCTS BASED ON THOSE MISINTERPRETATIONS. NO LIABILITY IS ACCEPTED FOR ERROR OMISSIONS IN THIS WEB SITE OR OUR DOCUMENTS. IN THE INTERESTS OF IMPROVEMENTS AND CONTINUED DEVELOPMENT BUSHFIRE CONTROL RESERVES THE RIGHT TO CHANGE SPECIFICATION WITHOUT NOTICE.

INFORMATION COPY ONLY



WWW.BUSHFIRECONTROL.COM.AU
 ABN 92 623 863 810
 20 GEORGE YOUNG STREET
 AUBURN, NSW 2144
 EMAIL: INFO@BUSHFIRECONTROL.COM.AU
 FREE CALL: 1800 218 258
 FAX: (02) 9681 1600

PROJECT
 SCS/BC - WS TEMP
 BUSHFIRE CONTROL - WARRIOR FZ MANUAL SHUTTER TEMPLATE

CLIENT

TITLE
 FRONT ELEVATION

SUB SET (CATEGORY)
01 - WARRIOR FZ MANUAL SHUTTERS

DRAWING NUMBER
SCS/BC - WS TEMP-0101

DRAWN BY
 ISHTIAQUE ALAM

START DATE
 20/07/2020

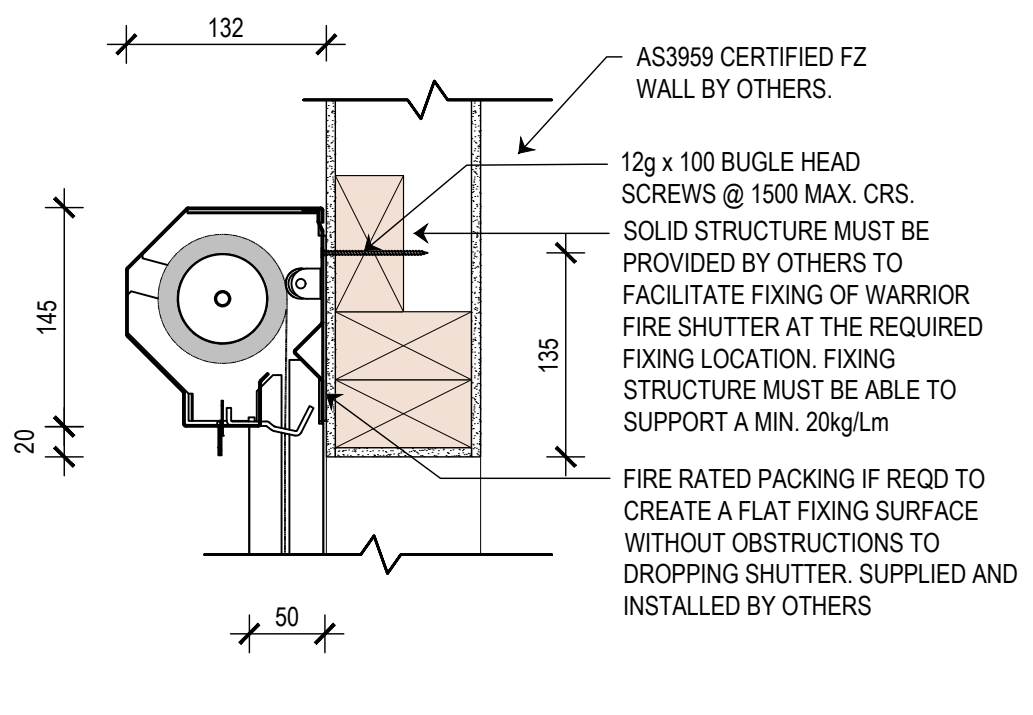
ISSUE STATUS:
 INFORMATION ONLY

SCALE
 AS SHOWN @A2

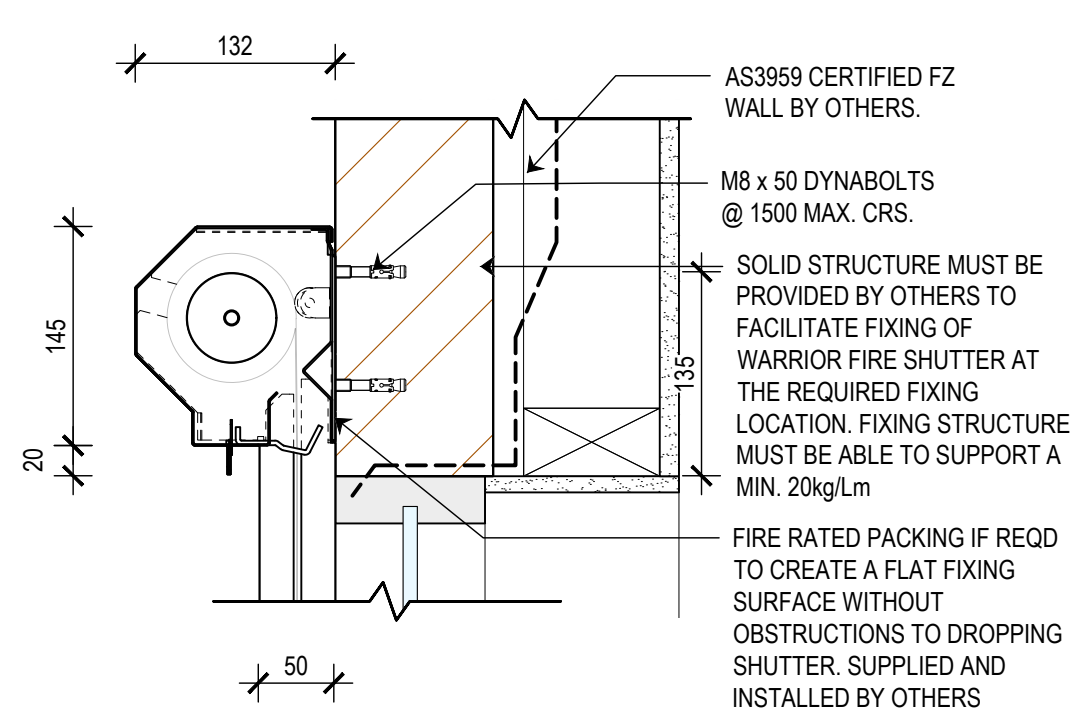
FILE: Bushfire Control - Warrior FZ Shutter.dwg --- PLOTTED ON 30/06/2022 BY OZRA KHADEMI

THIS DRAWING IS COPYRIGHT AND THE PROPERTY OF THE AUTHOR, AND MUST NOT BE RETAINED, COPIED OR USED WITHOUT THE AUTHORITY OF BUSHFIRE CONTROL PTY. LTD.
 DO NOT SCALE FROM DRAWING. USE PROVIDED DIMENSIONS ONLY.
 ALL DISCREPANCIES MUST BE BROUGHT TO THE ATTENTION OF AUTHOR.
 SMOKE CONTROL SYSTEMS DO NOT TAKE RESPONSIBILITY OF MEASUREMENTS PROVIDED BY OTHERS.

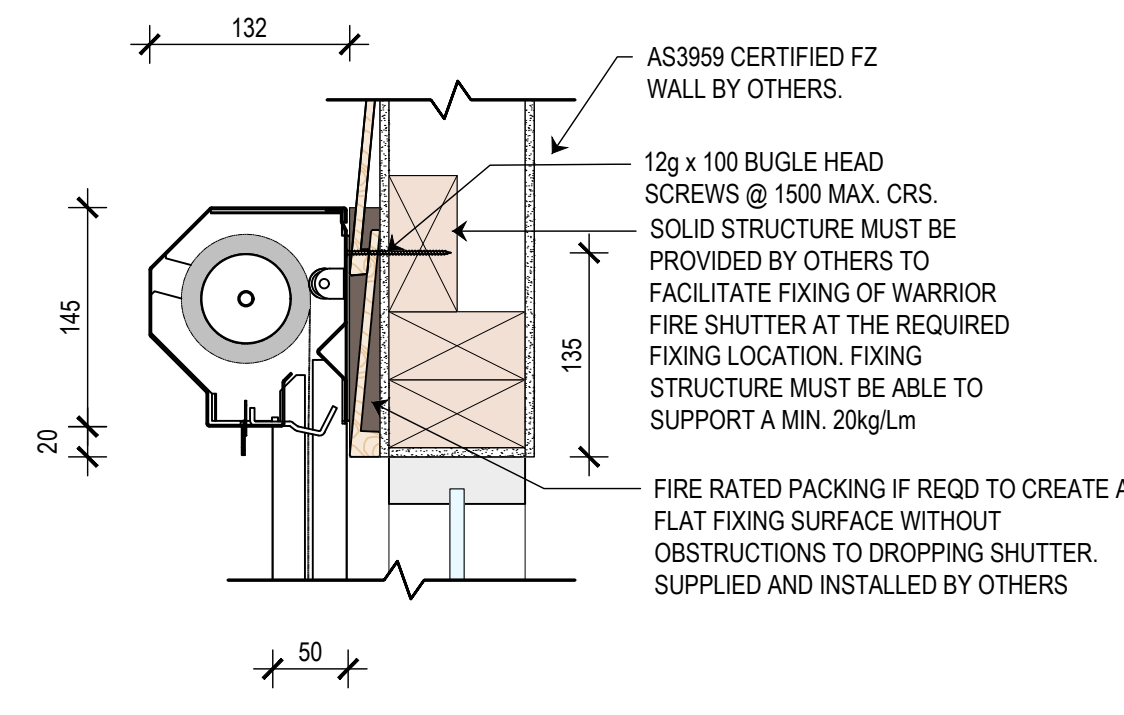
CHK	REASON	DATE
A AC	RELEASED	27/08/2020



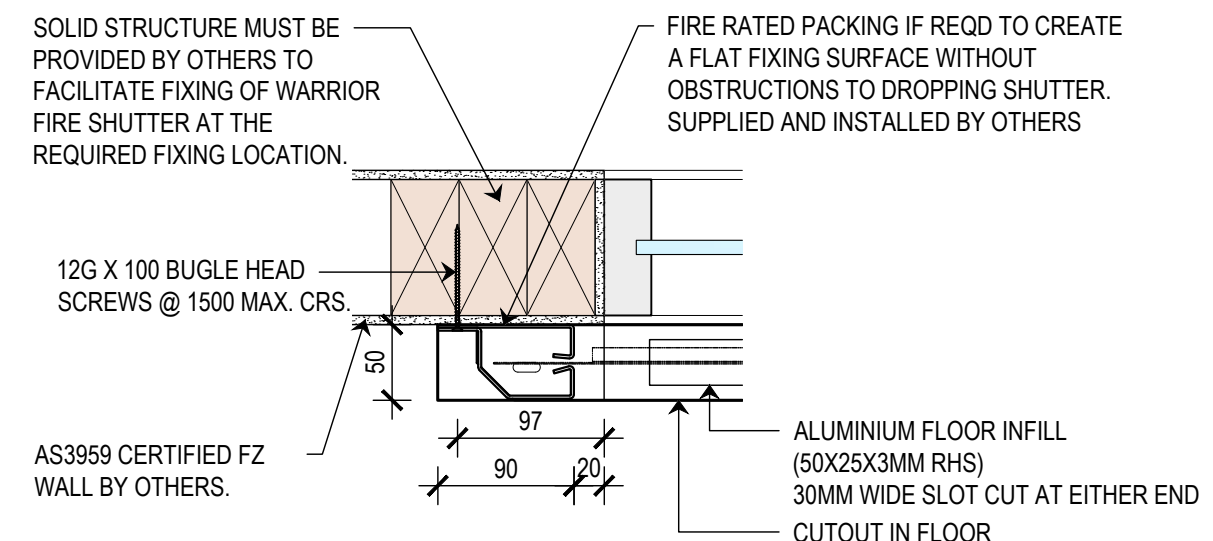
1 TYPICAL HEADBOX DETAIL
STUD WALL STRUCTURE
 SCALE 1:10 @ A2



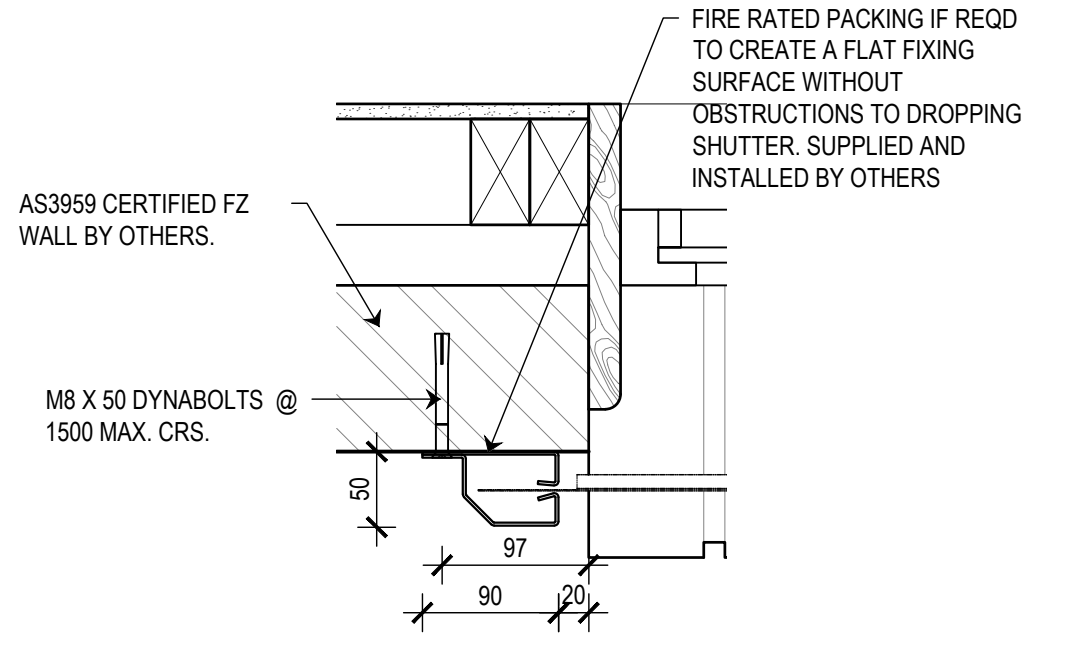
4 TYPICAL HEADBOX DETAIL
MASONRY WALL STRUCTURE
 SCALE 1:10 @ A2



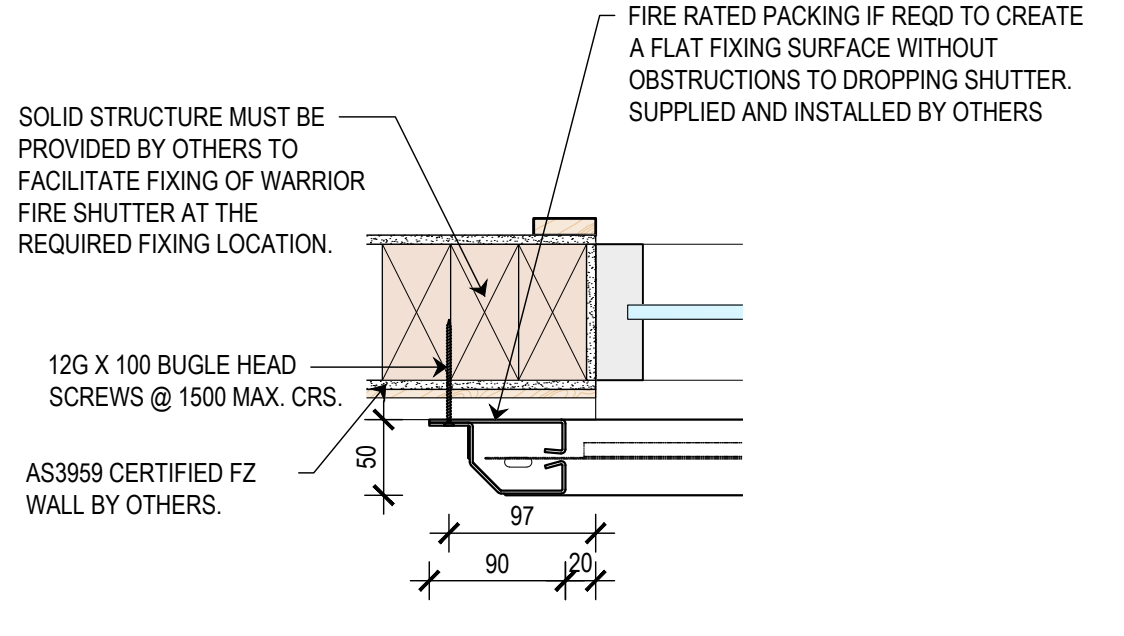
7 TYPICAL HEADBOX DETAIL
WEATHERBOARD WALL STRUCTURE
 SCALE 1:10 @ A2



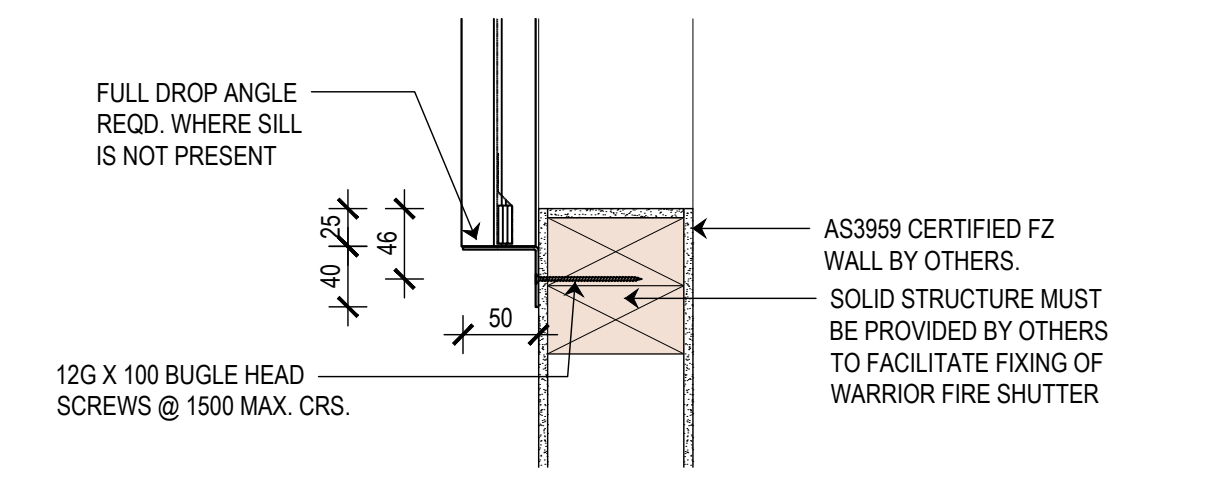
2 TYPICAL SIDE GUIDE DETAIL
STUD WALL STRUCTURE
 SCALE 1:10 @ A2



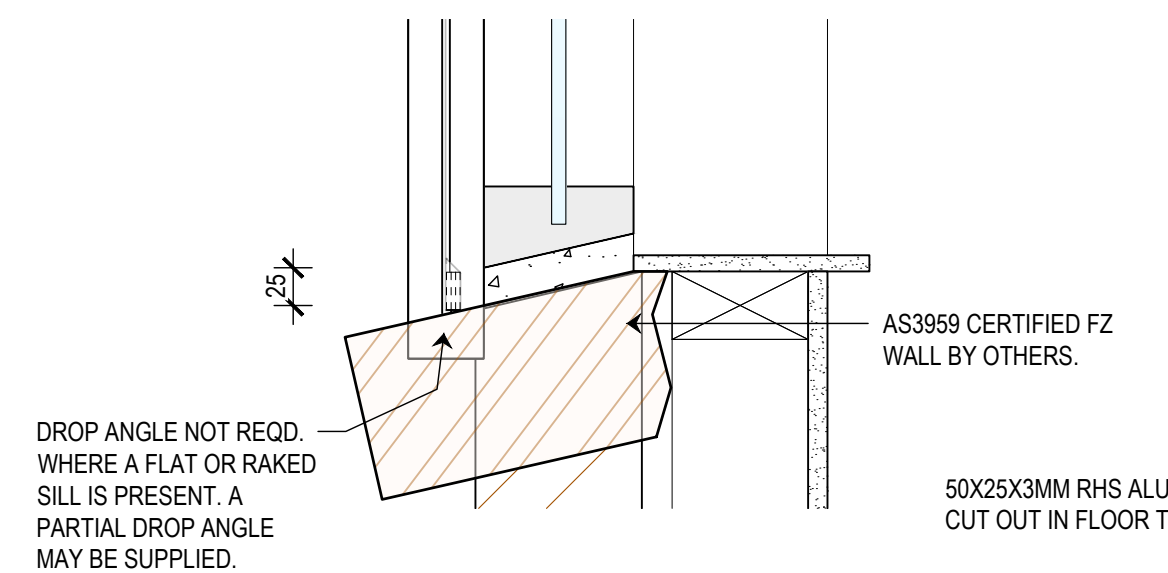
5 TYPICAL SIDE GUIDE DETAIL
MASONRY WALL STRUCTURE
 SCALE 1:10 @ A2



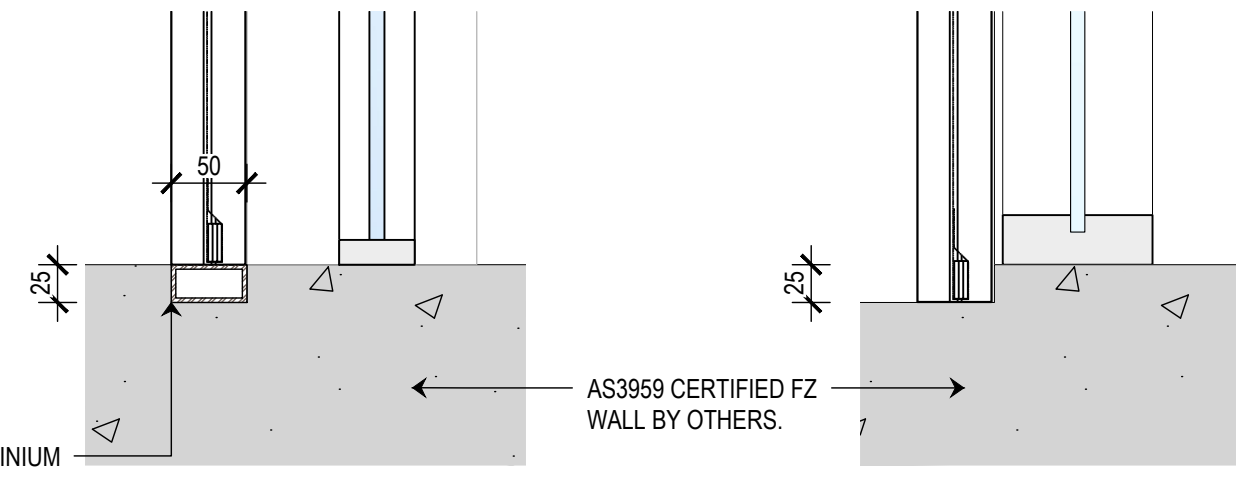
8 TYPICAL SIDE GUIDE DETAIL
WEATHERBOARD WALL STRUCTURE
 SCALE 1:10 @ A2



3 TYPICAL WINDOW SILL DETAIL
STUD/W.B WALL STRUCTURE
 SCALE 1:10 @ A2



6 TYPICAL WINDOW RAKE SILL DETAIL
MASONRY WALL STRUCTURE
 SCALE 1:10 @ A2



OPTION 1 **OPTION 2**

9 TYPICAL DOOR SILL DETAIL
MASONRY FLOOR STRUCTURE
 SCALE 1:10 @ A2

DISCLAIMER
 INFORMATION GIVEN IN WARRIORWINDOWS.COM.AU AND PUBLICATIONS FOR DOWNLOAD ARE GIVEN TO THE BEST OF OUR KNOWLEDGE AND IN GOOD FAITH. BUSHFIRE CONTROL IS NOT RESPONSIBLE IF RECIPIENTS OF TEST REPORTS, ASSESSMENTS OR LITERATURE MISINTERPRET THE CONTENTS AND WRONGLY USE PRODUCTS BASED ON THOSE MISINTERPRETATIONS. NO LIABILITY IS ACCEPTED FOR ERROR OMISSIONS IN THIS WEB SITE OR OUR DOCUMENTS. IN THE INTERESTS OF IMPROVEMENTS AND CONTINUED DEVELOPMENT BUSHFIRE CONTROL RESERVES THE RIGHT TO CHANGE SPECIFICATION WITHOUT NOTICE.

INFORMATION COPY ONLY



WWW.BUSHFIRECONTROL.COM.AU
 ABN 92 623 863 810
 20 GEORGE YOUNG STREET
 AUBURN, NSW 2144
 EMAIL: INFO@BUSHFIRECONTROL.COM.AU
 FREE CALL: 1800 218 258
 FAX: (02) 9681 1600

PROJECT
SCS/BC - WS TEMP
 BUSHFIRE CONTROL - WARRIOR FZ MANUAL
 SHUTTER TEMPLATE

CLIENT

TITLE
CLOSEUP DETAIL

SUB SET (CATEGORY)
01 - WARRIOR FZ MANUAL SHUTTERS

DRAWING NUMBER
SCS/BC - WS TEMP-0102 REV A

DRAWN BY
 ISHTIAQUE ALAM
 ISSUE STATUS:
 INFORMATION ONLY

START DATE
 20/07/2020
 SCALE
 AS SHOWN @A2

FILE: Bushfire Control - Warrior FZ Shutter.dwg --- PLOTTED ON 30/06/2022 BY OZIRA KHADEMI

<<< 594mm